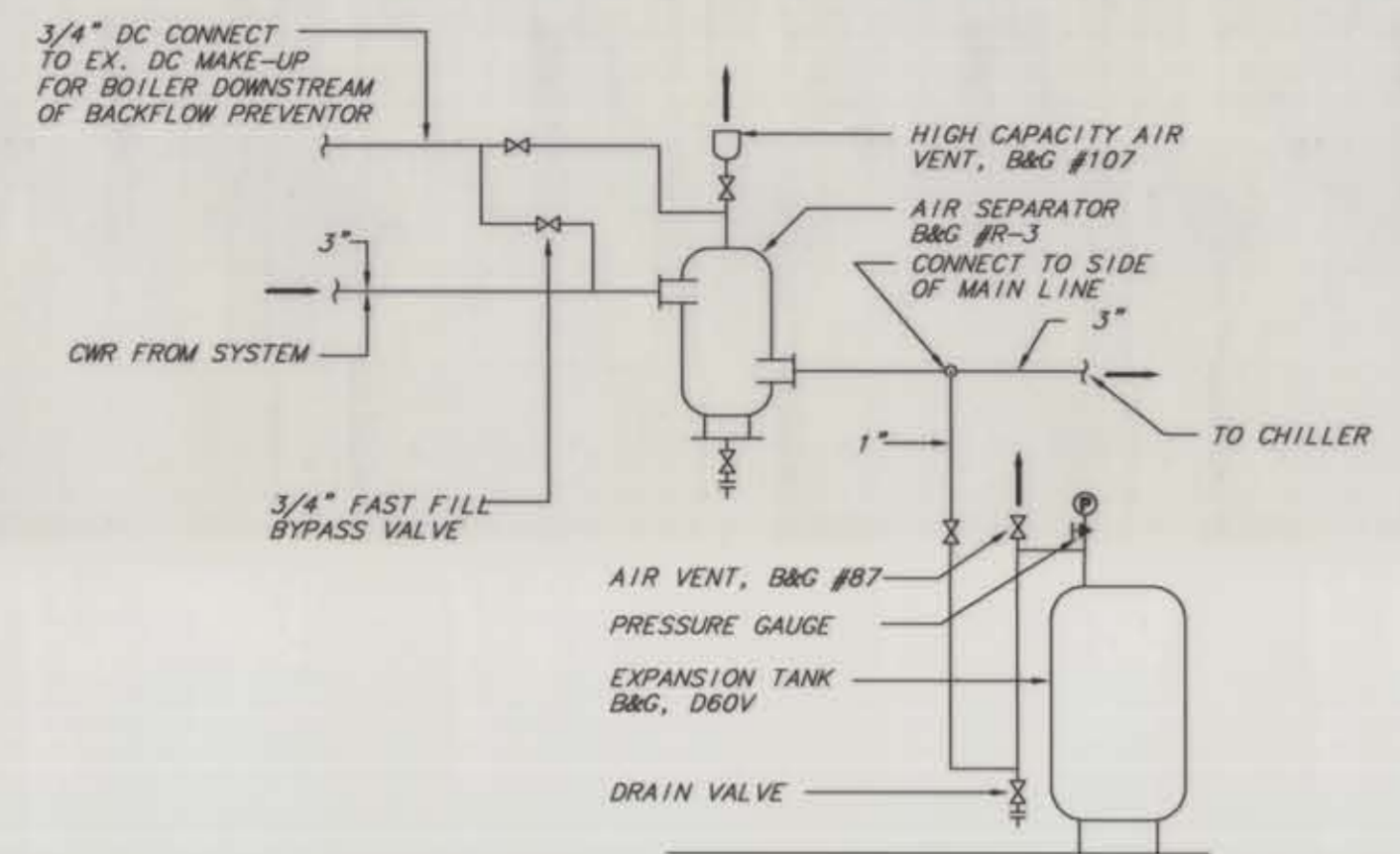
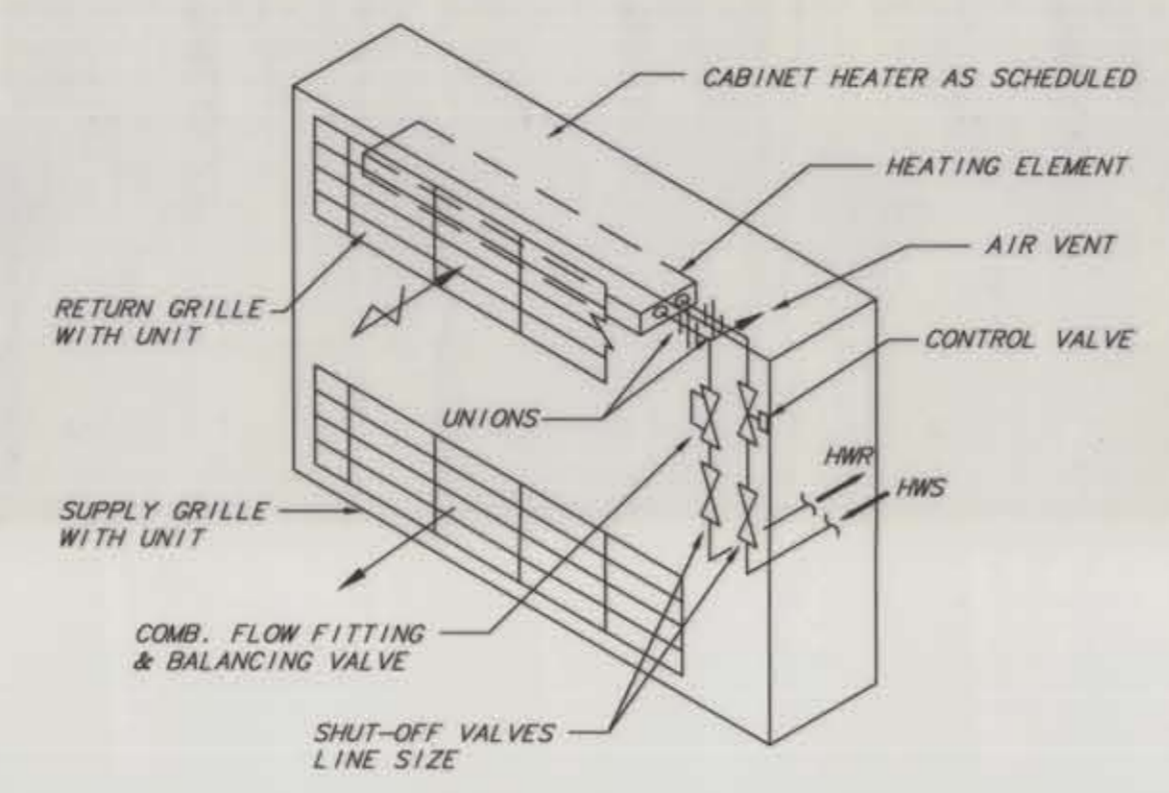


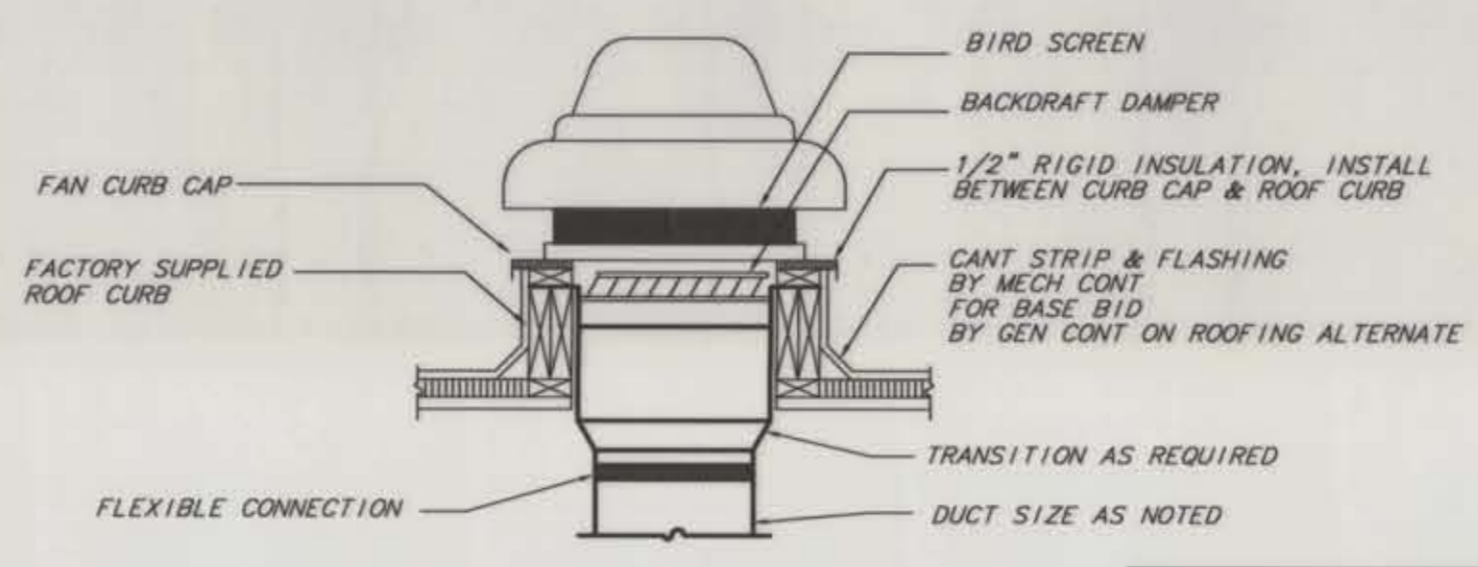
AS BUILT DRAWING



1 MB HYDRONIC SYSTEM MAKEUP WATER STATION DETAIL NTS

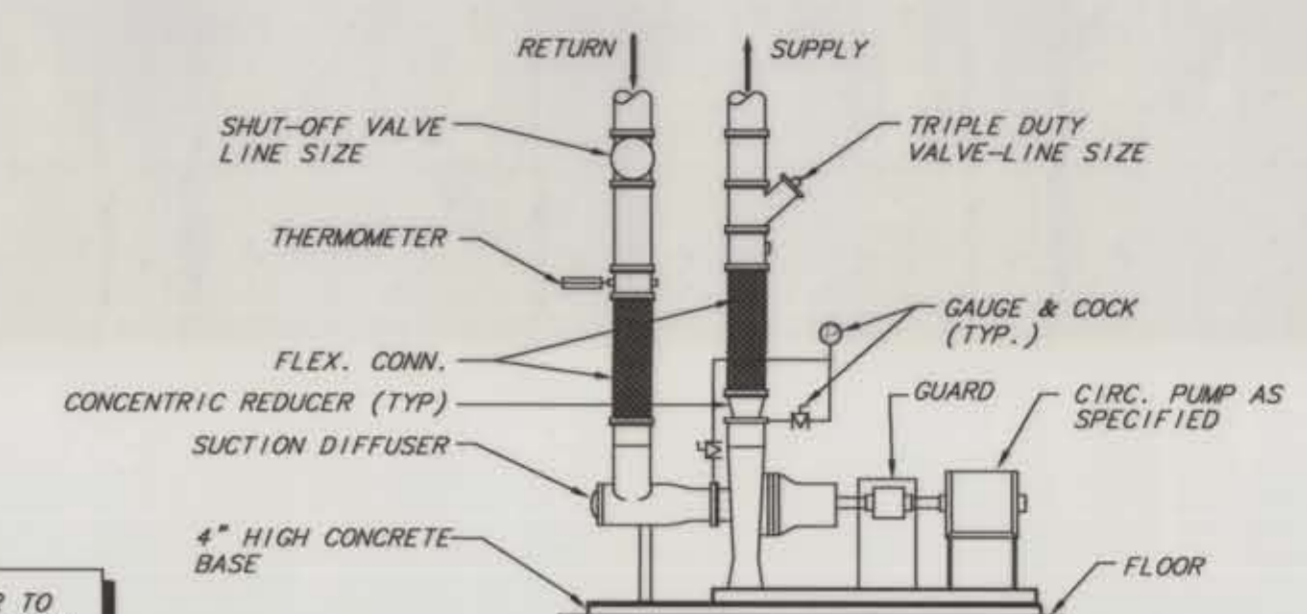


2 MB CABINET HEATER (TYP) NTS

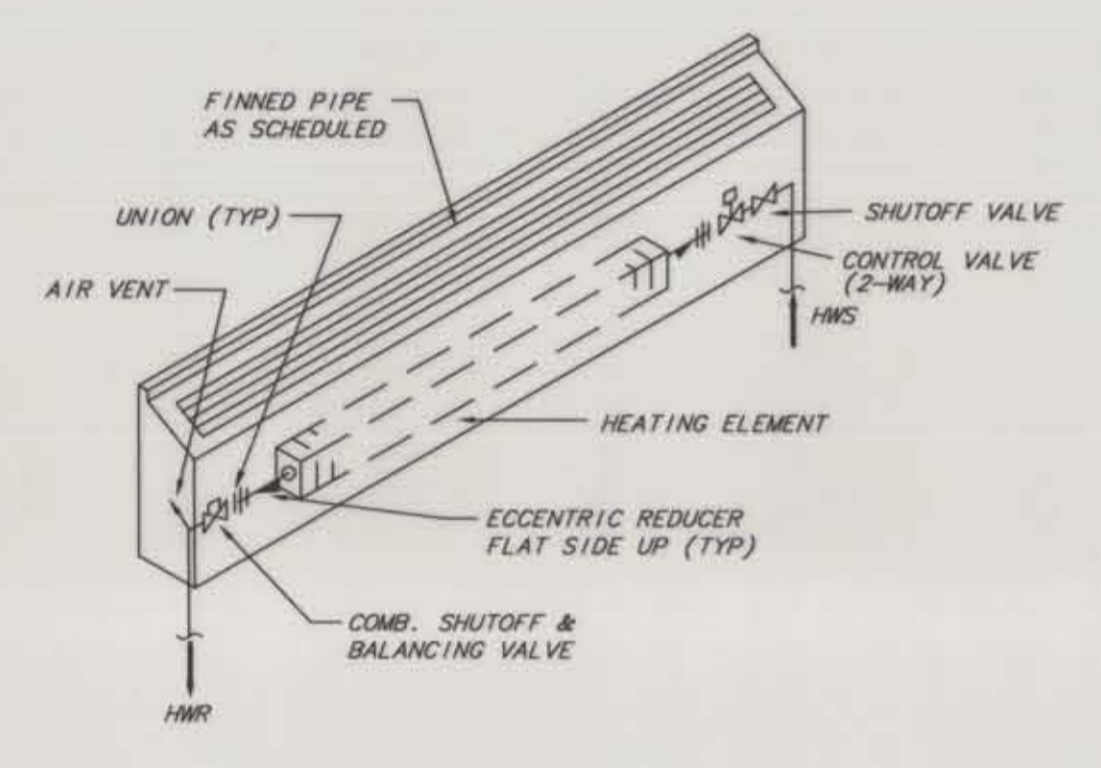


3 MB EXHAUST FAN DETAIL NTS

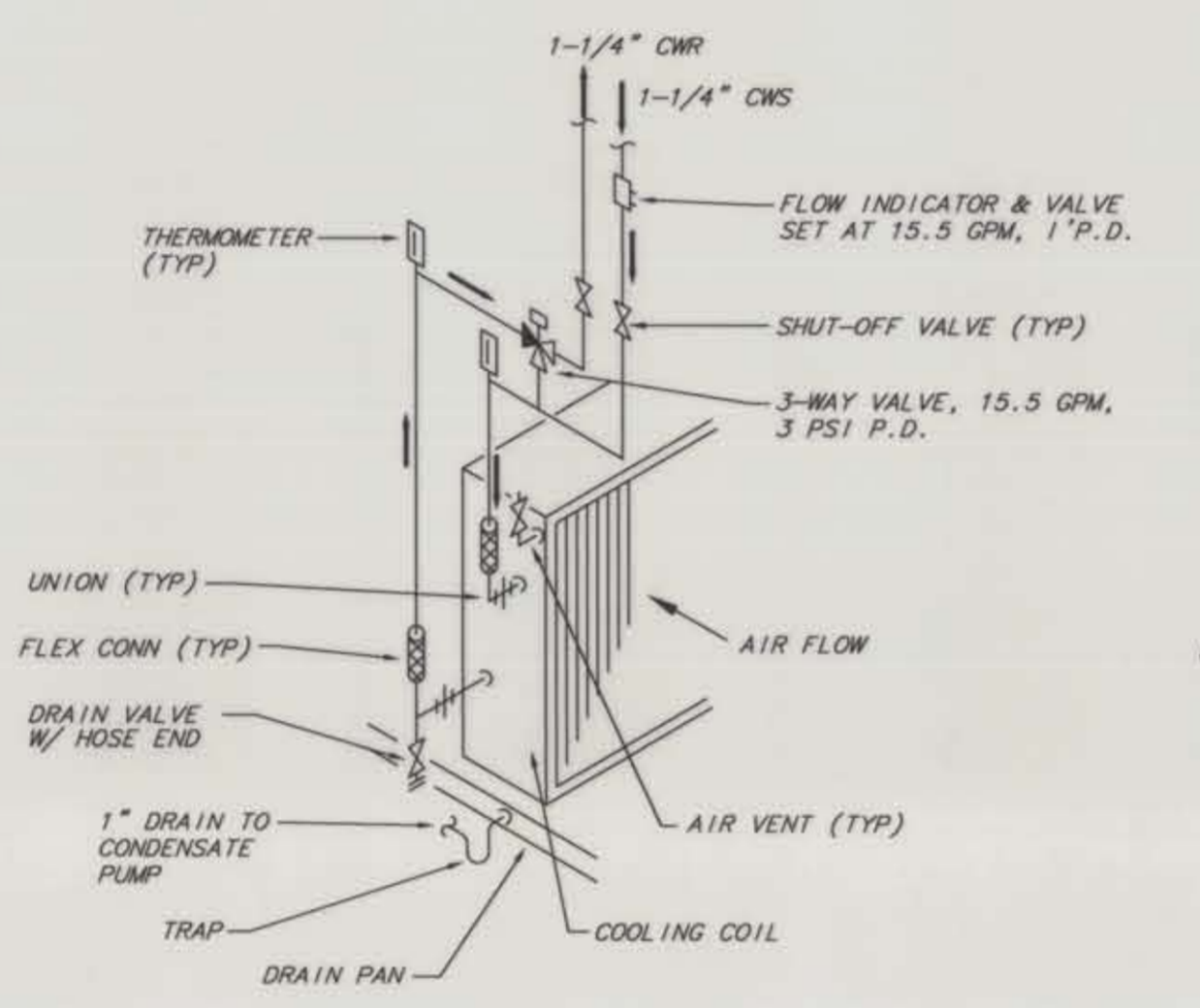
MECHANICAL CONTRACTOR TO CAP EX CURBS FOR DEMO EXH FANS UNDER BASE BID WITH SHEET METAL



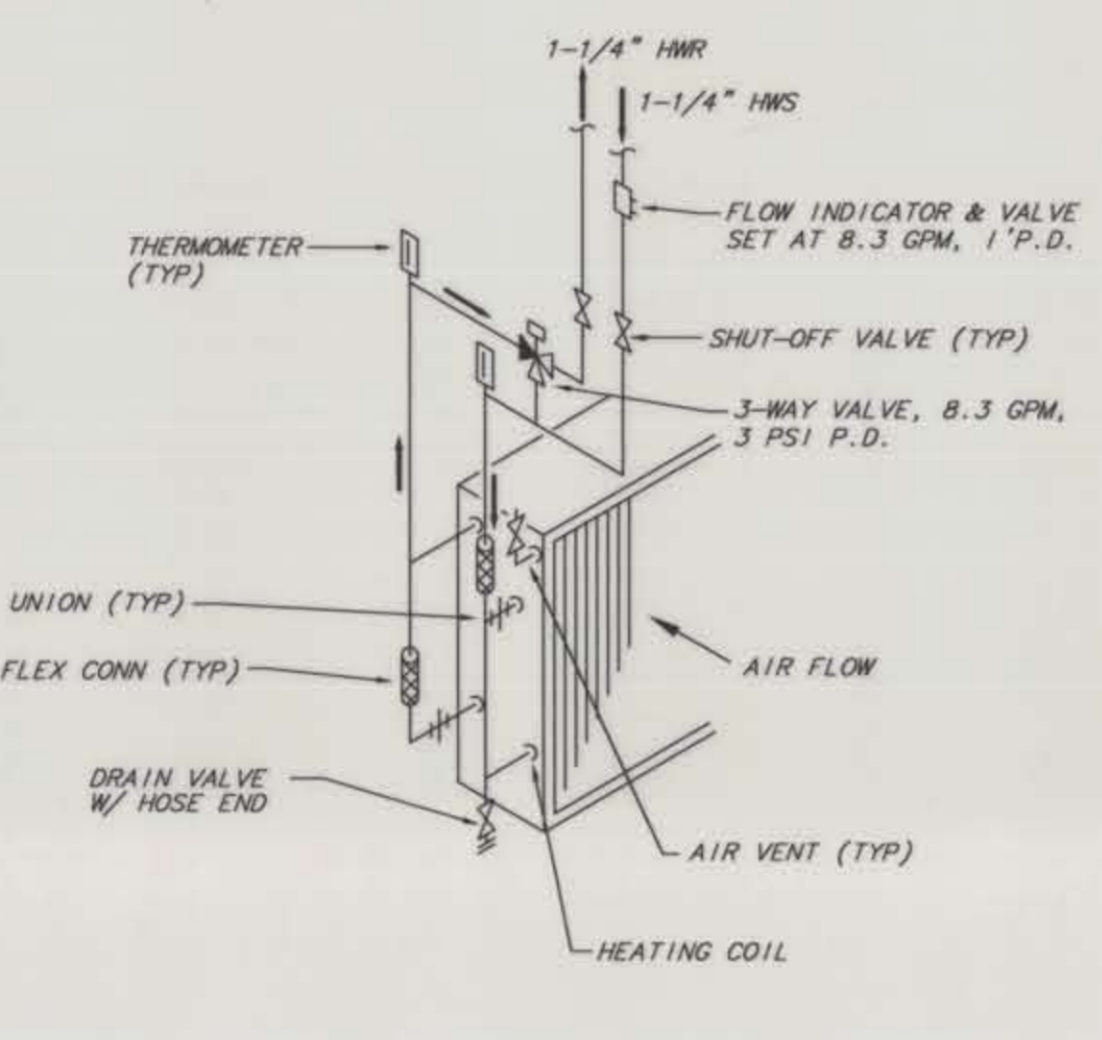
4 MB BASE MOUNTED PUMP NTS



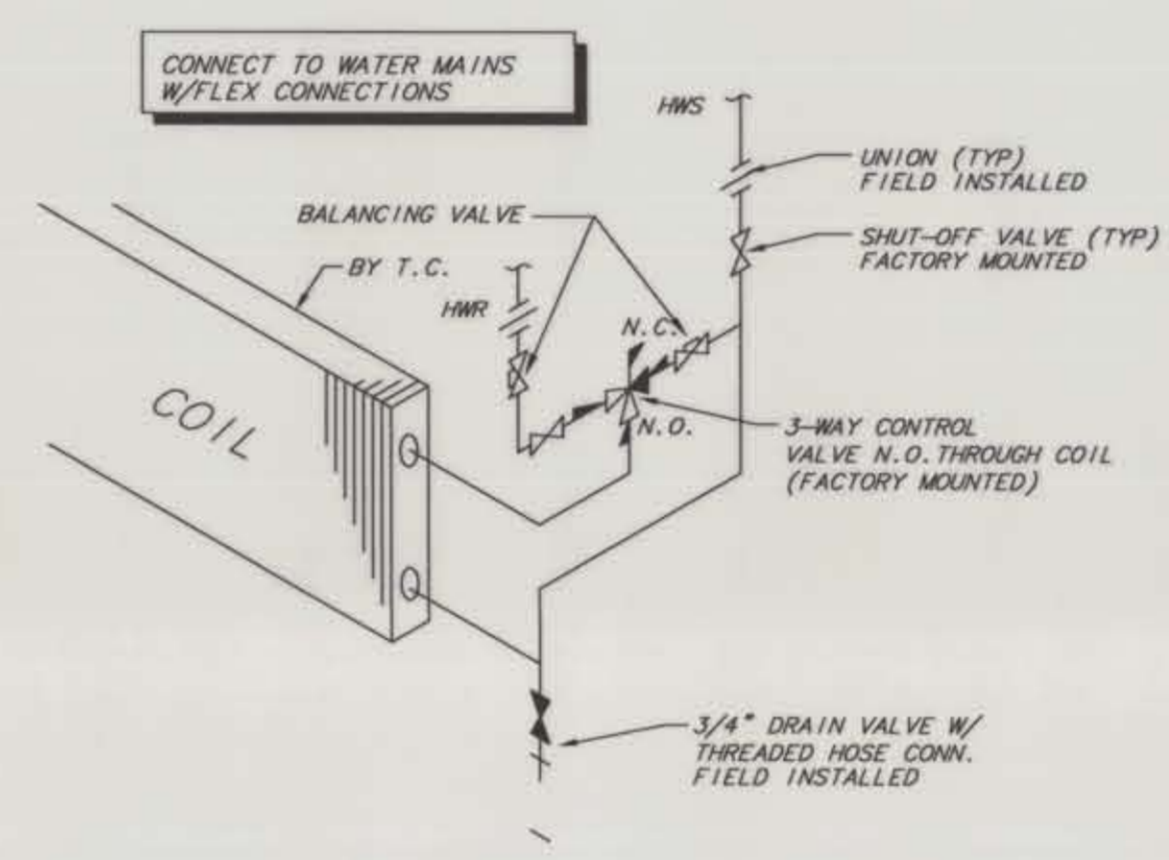
5 MB FINNED PIPE FP-1 NTS



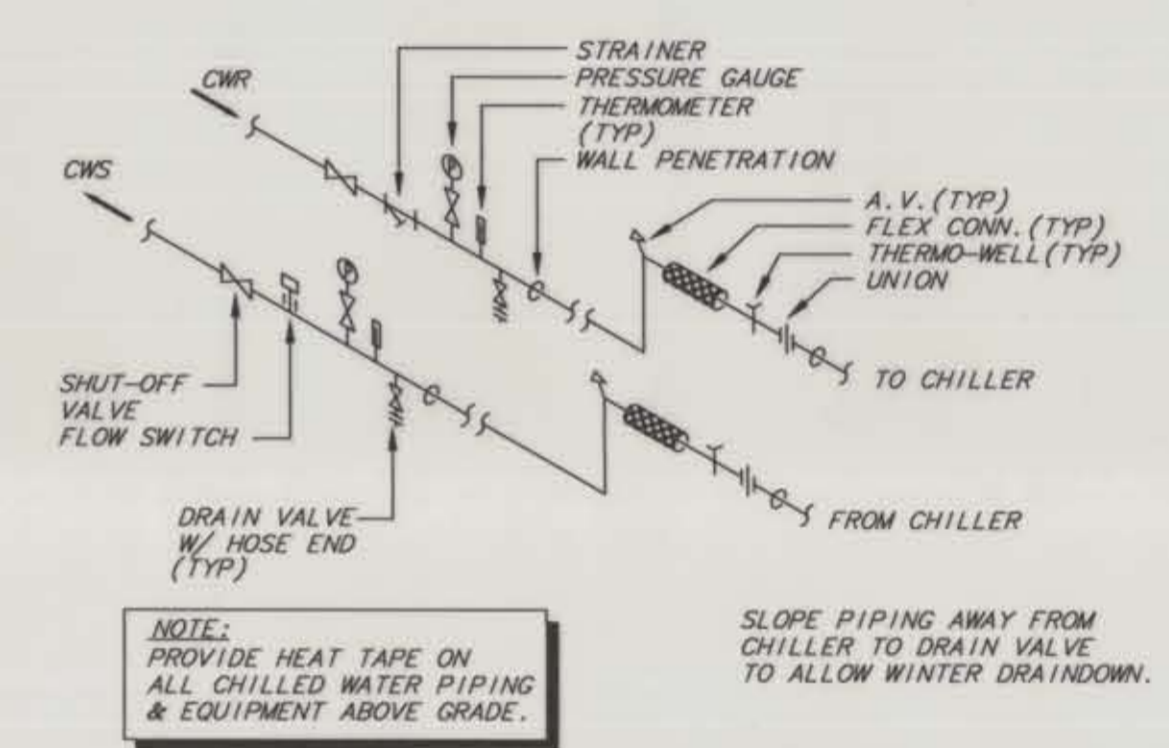
6 MB AHU-1 COOLING COIL NTS



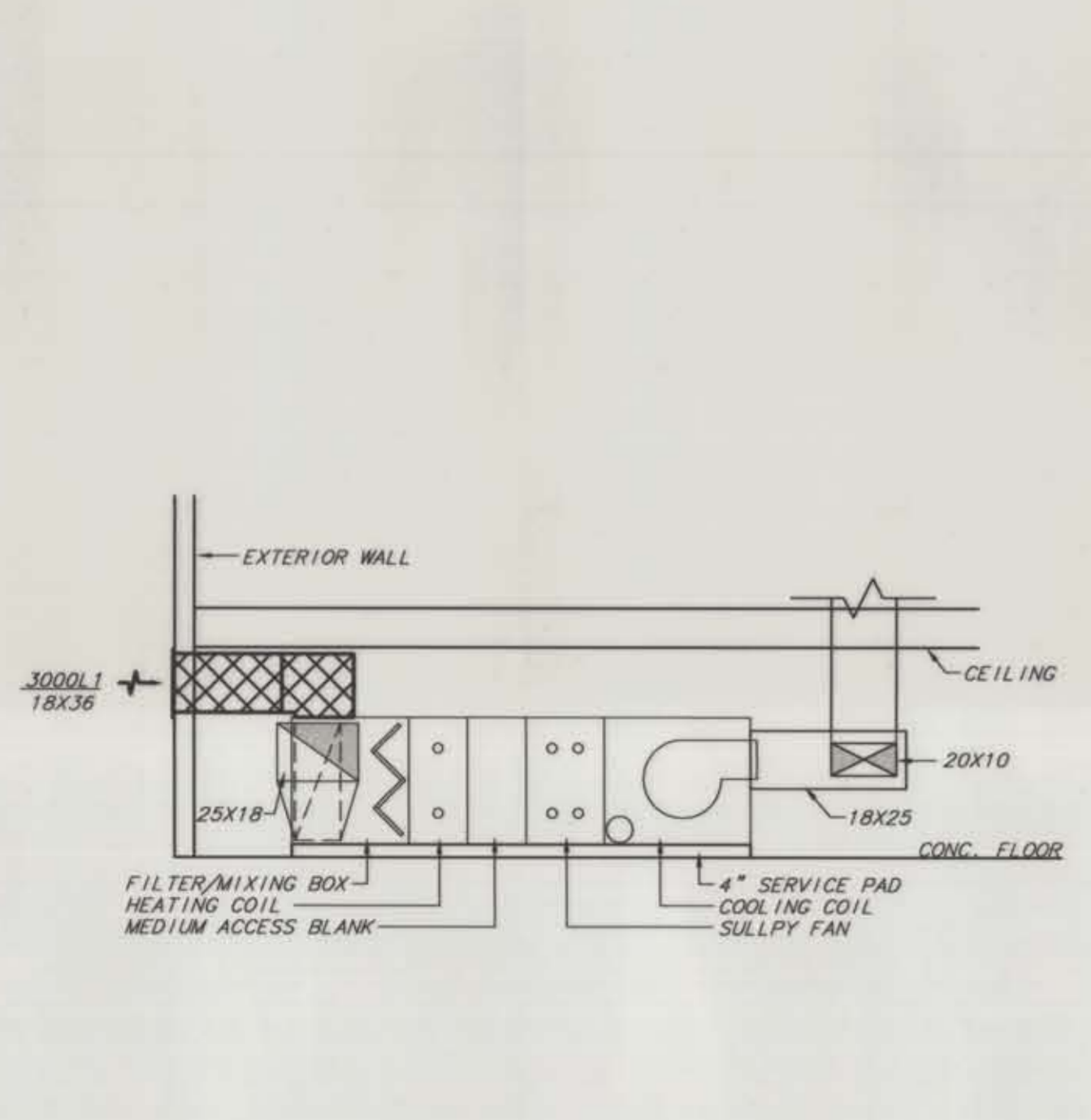
7 MB AHU-1 HEATING COIL NTS



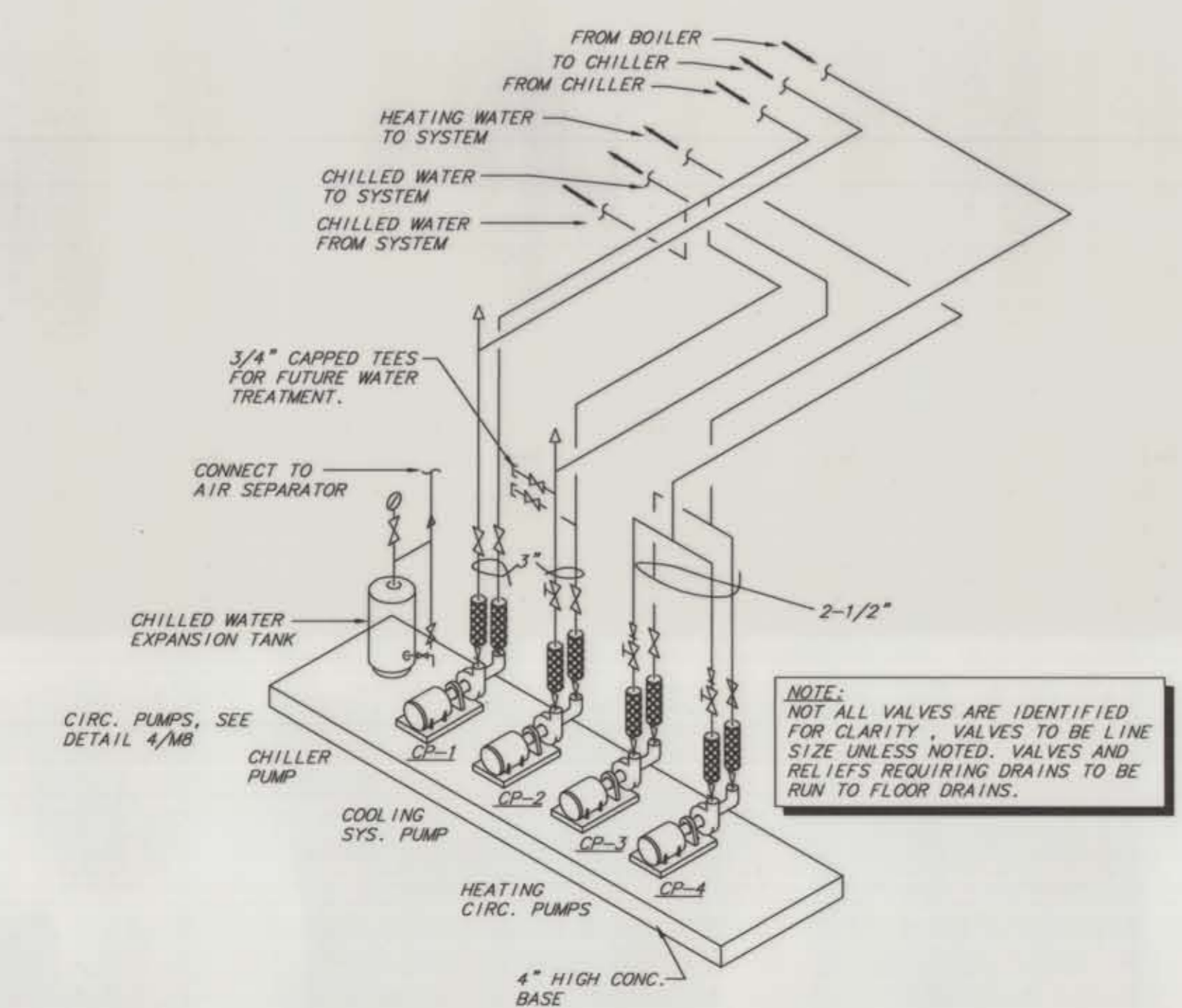
8 MB FAN COIL PIPING HEATING, COOLING NTS



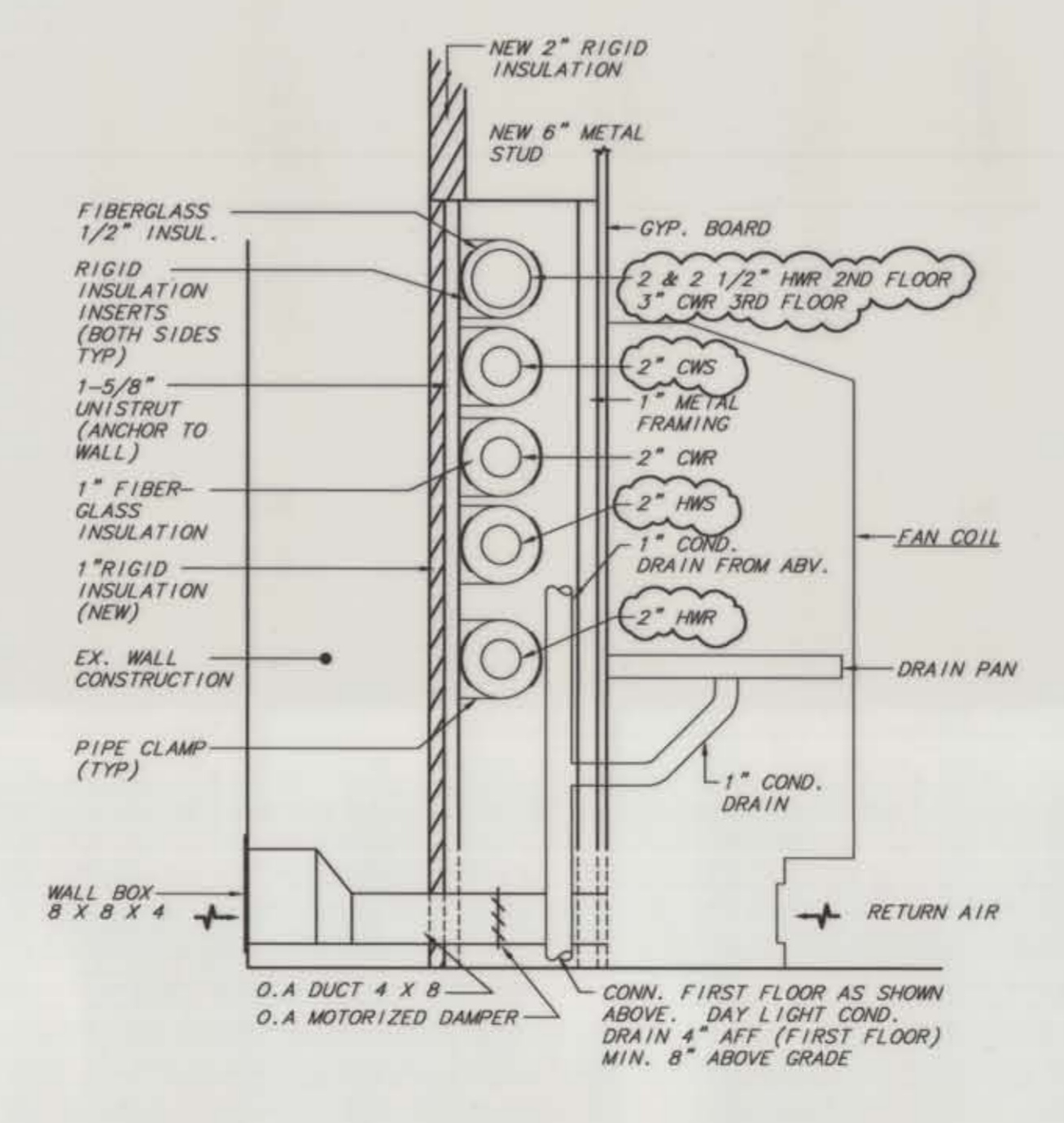
9 MB CHILLER PIPING DETAIL NTS



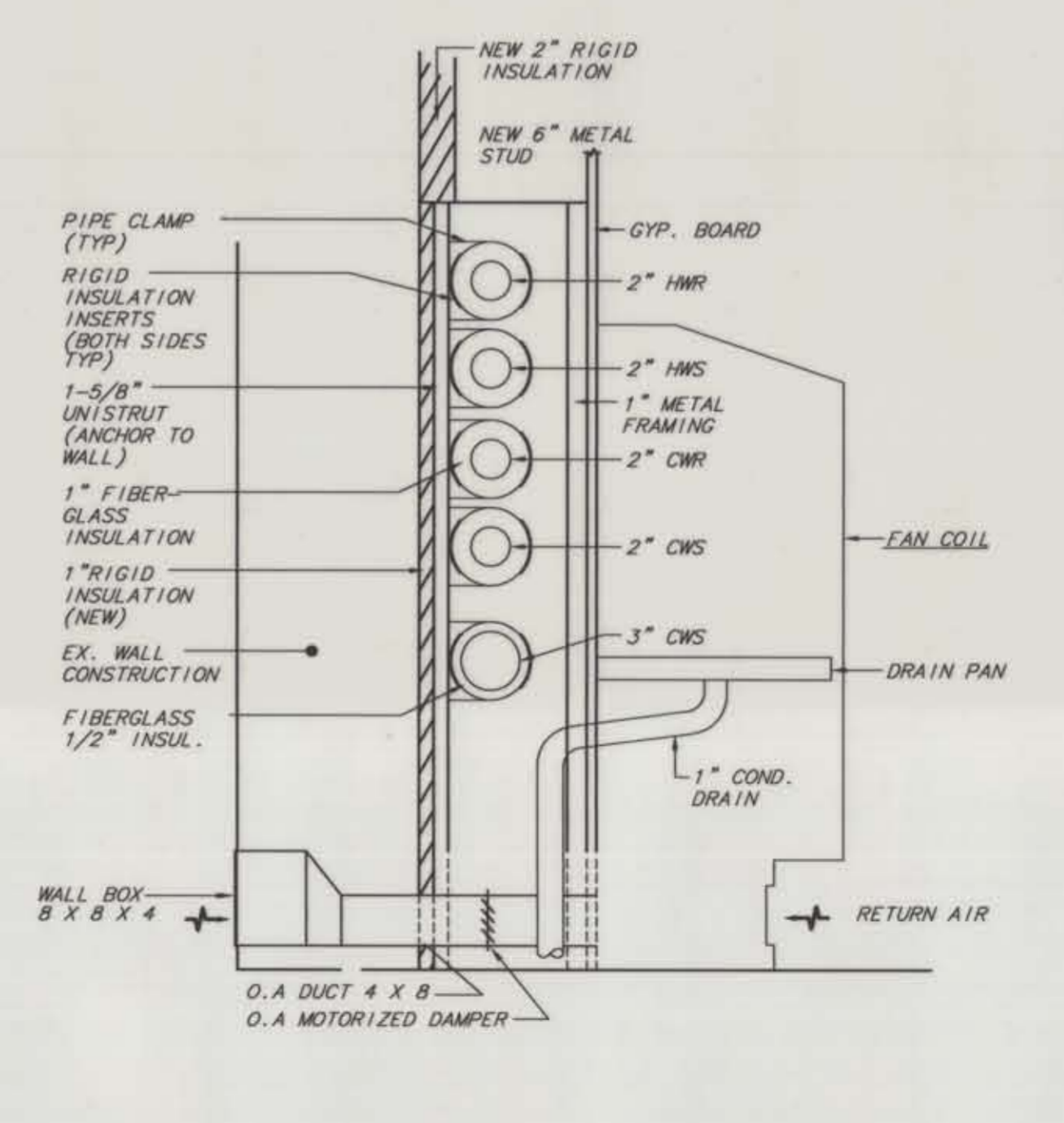
10 MB AHU-1 - ELEVATION NTS



11 MB CIRC. PUMP DETAIL NTS



12 MB NEW STUD WALL - 2ND FLOOR PIPING NTS



13 MB NEW STUD WALL - 3RD FLOOR PIPING NTS