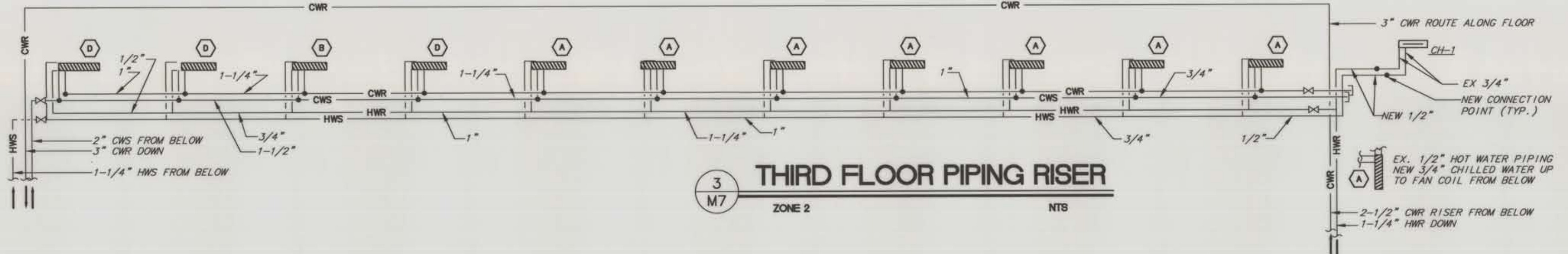
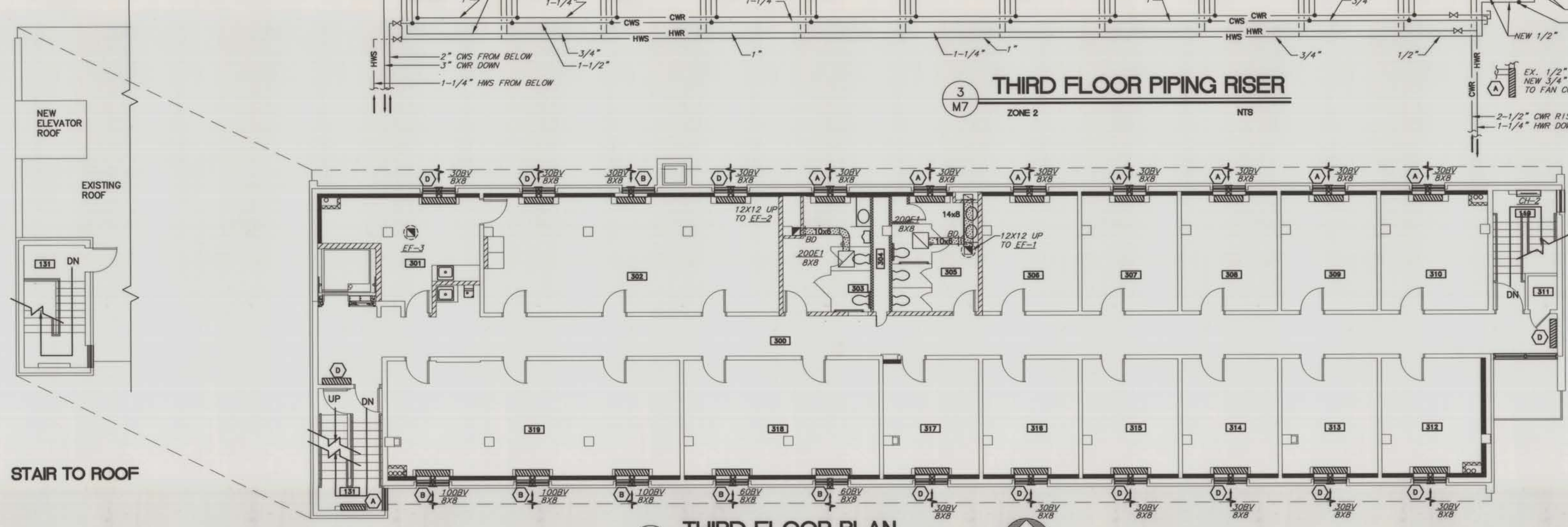


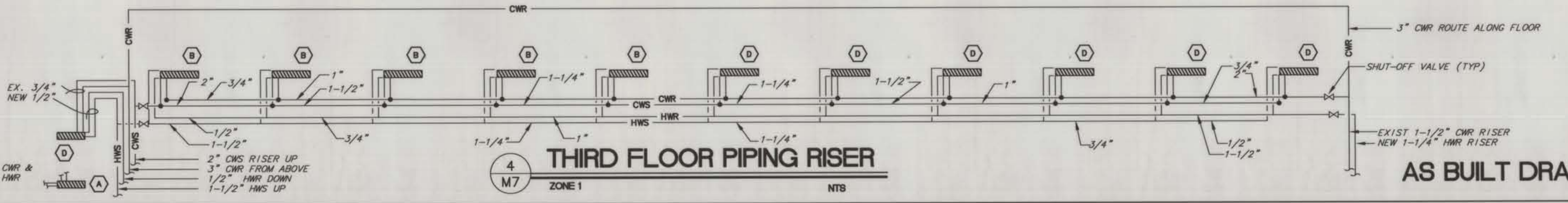
1 THIRD FLOOR PLAN
1/8"=1'-0"



3 THIRD FLOOR PIPING RISER
ZONE 2



2 THIRD FLOOR PLAN
1/8"=1'-0"



4 THIRD FLOOR PIPING RISER
ZONE 1

AS BUILT DRAWING

- GENERAL NOTES:**
1. INSTALL FAN COIL (A) AS SCHEDULED WHERE SHOWN. (A) - FAN COIL. A SEE SCHEDULE M1
 2. REUSE EXISTING HEAT PIPING AS CHILLED WATER PIPING. ROUTE NEW PIPING AS SHOWN.
 3. 3/4" CHILLED WATER AND 1/2" HOT WATER SUPPLY AND RETURN RISERS UNLESS OTHERWISE NOTED
 4. PROVIDE SHUT-OFF AND DRAIN VALVES FOR EACH FLOOR SUPPLY AND RETURN MAINS. COORDINATE ACCESS W/ GC

C:\jga\CA019504\MECH\9504m7.Tup Dec 17 09:32:24 1995 JGA ARCHITECTS BILLINGS, MT