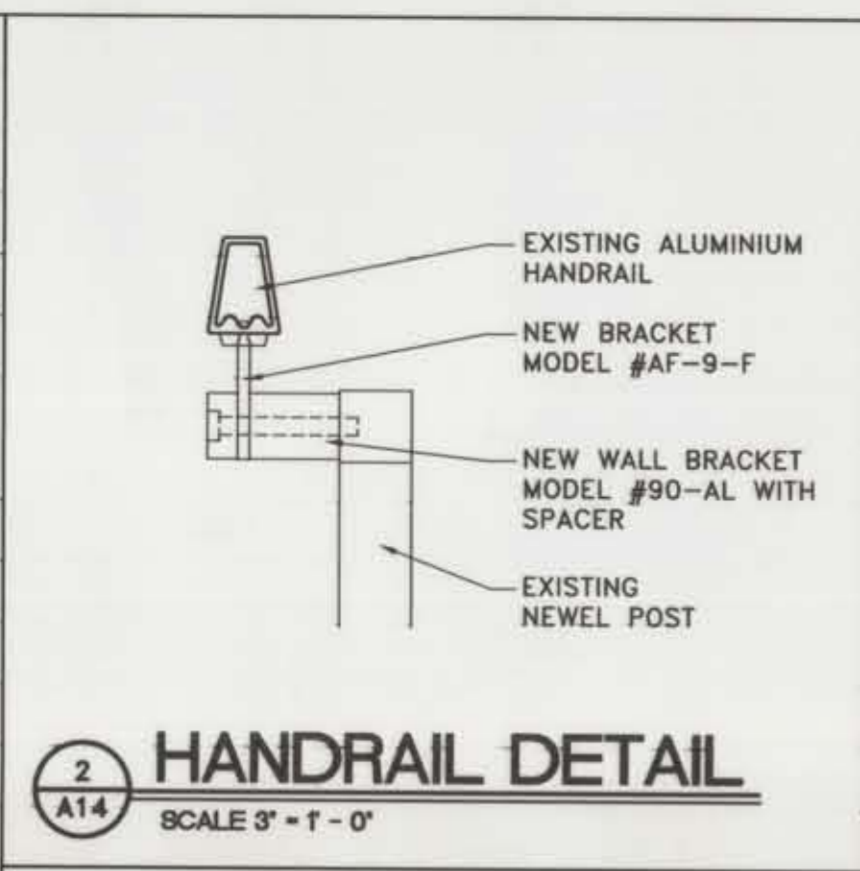
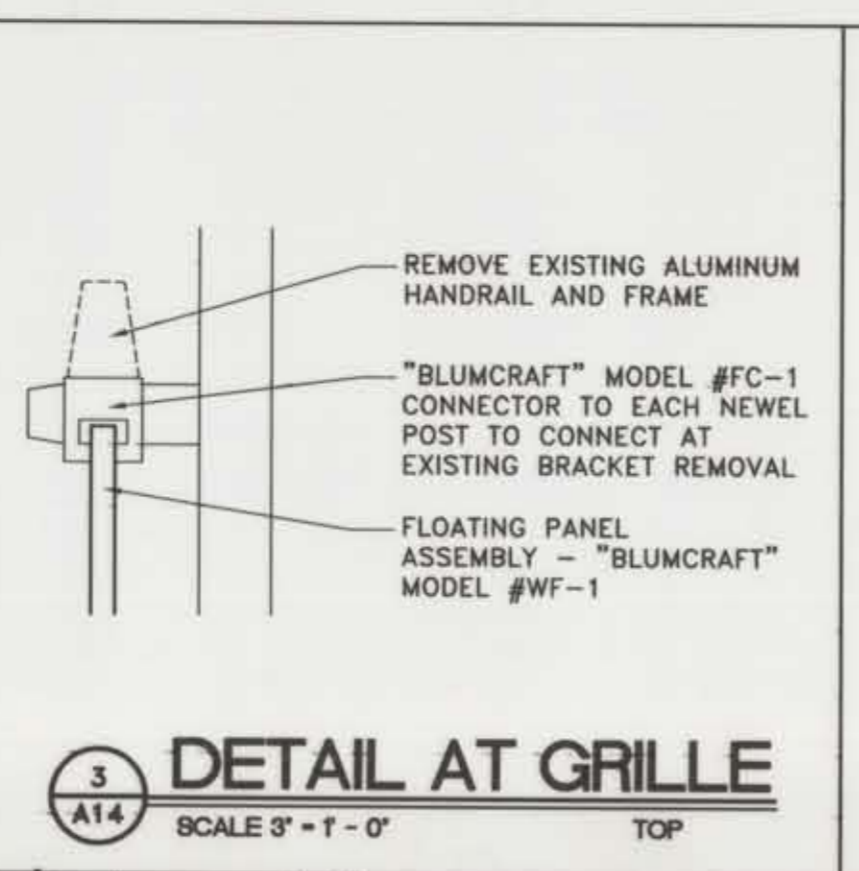


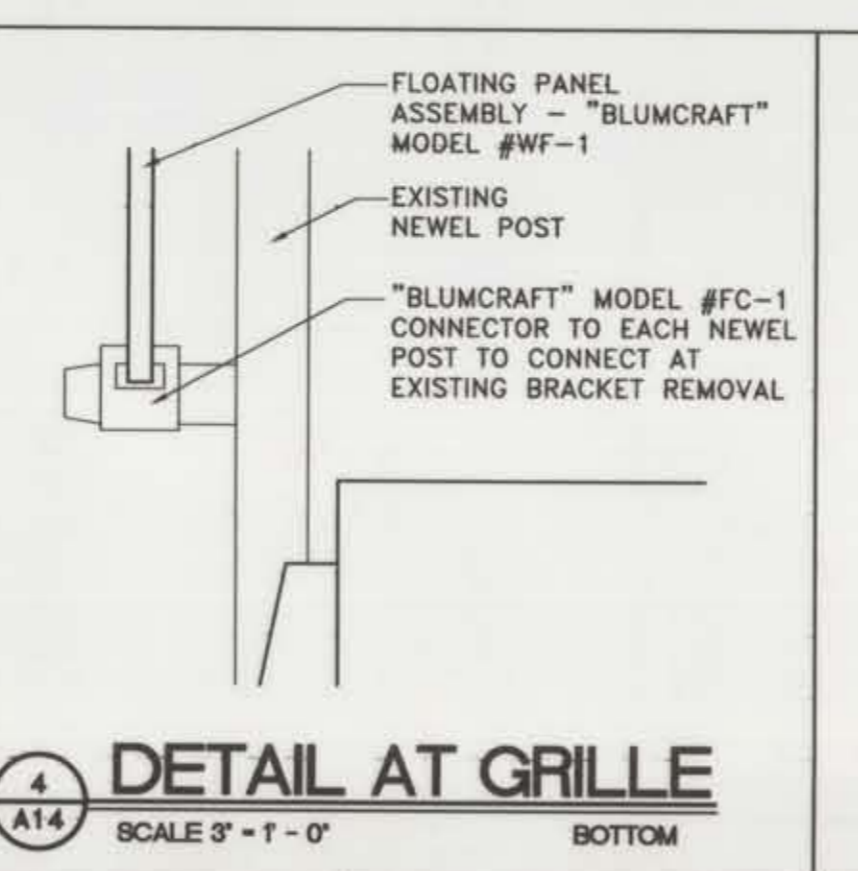
1 HANDRAIL SECTION
SCALE 1" = 1'-0"



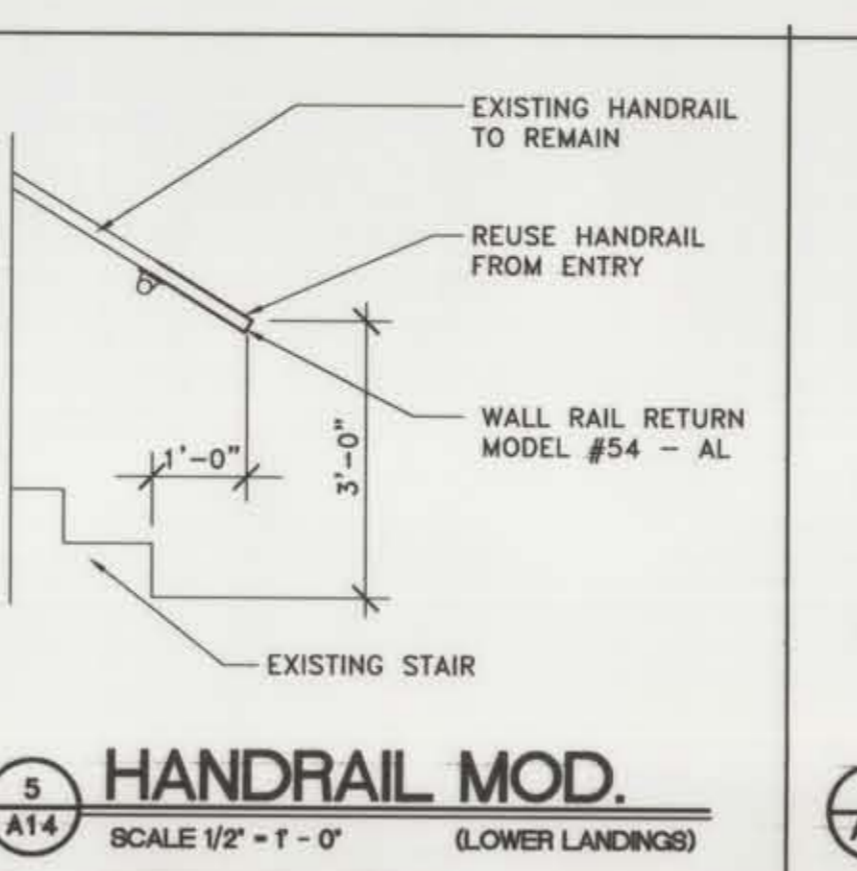
2 HANDRAIL DETAIL
SCALE 3" = 1'-0"



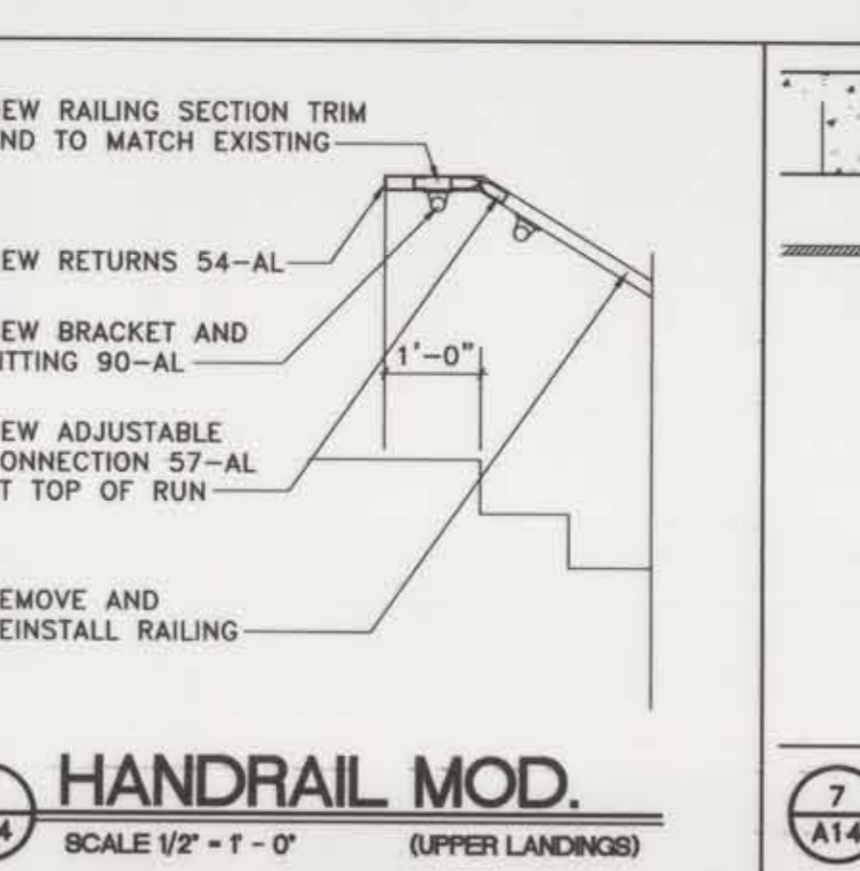
3 DETAIL AT GRILLE
SCALE 3" = 1'-0" TOP



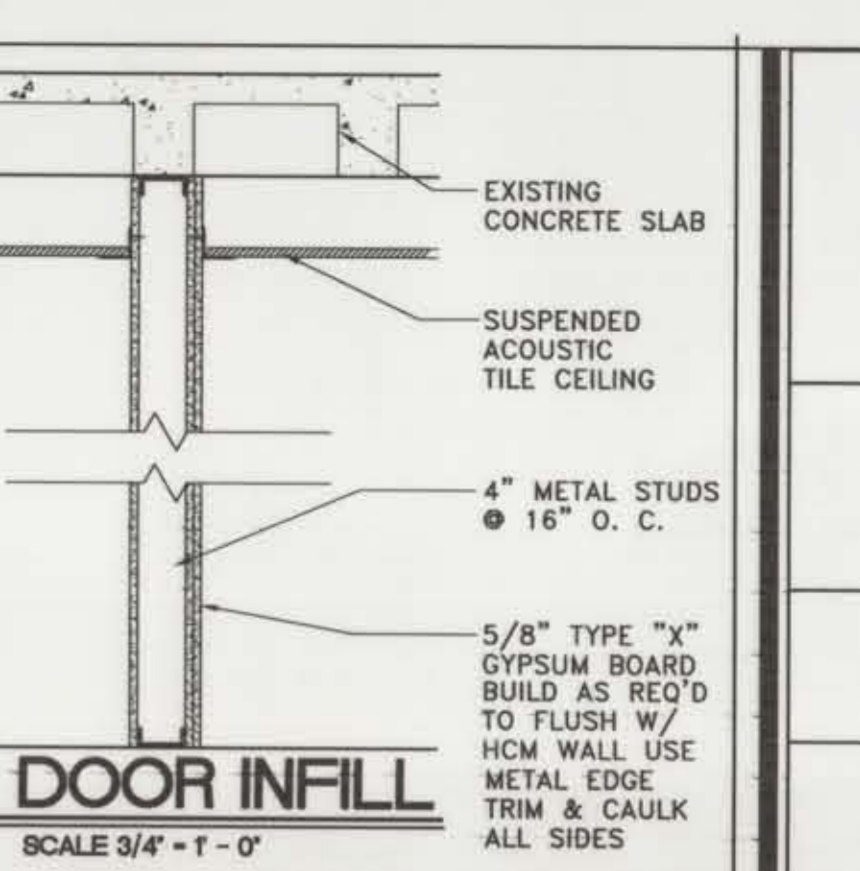
4 DETAIL AT GRILLE
SCALE 3" = 1'-0" BOTTOM



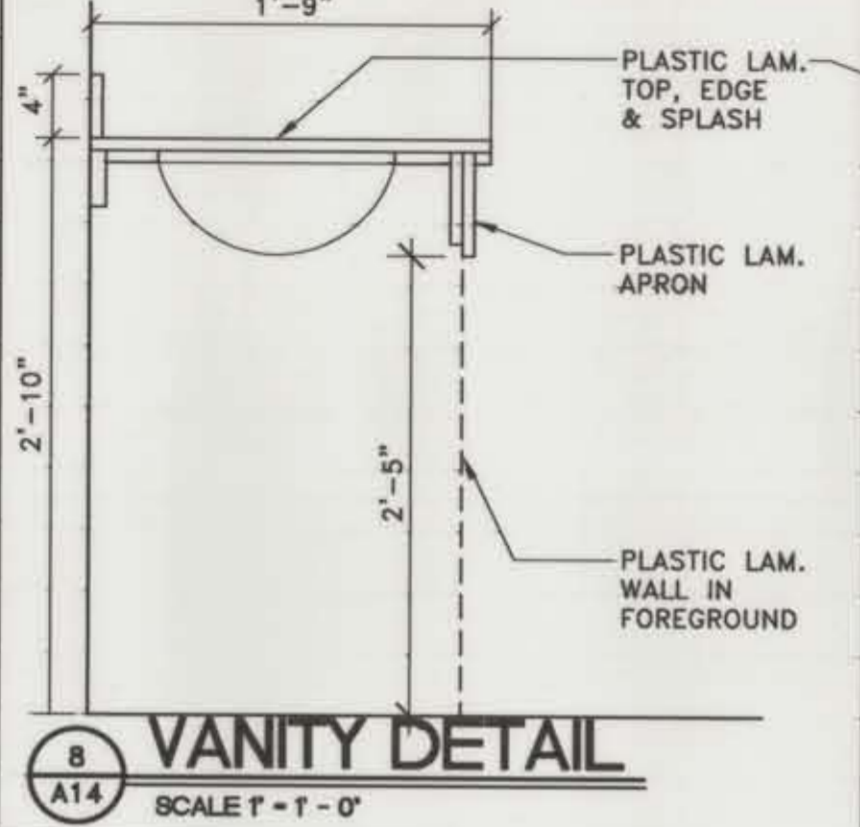
5 HANDRAIL MOD.
SCALE 1/2" = 1'-0" (LOWER LANDINGS)



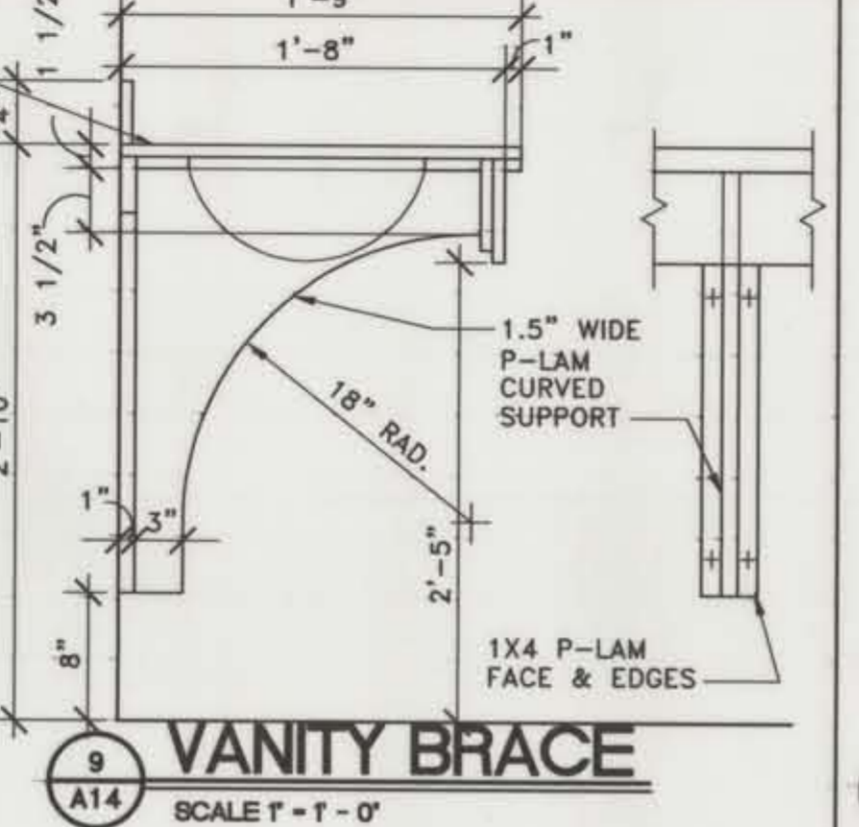
6 HANDRAIL MOD.
SCALE 1/2" = 1'-0" (UPPER LANDINGS)



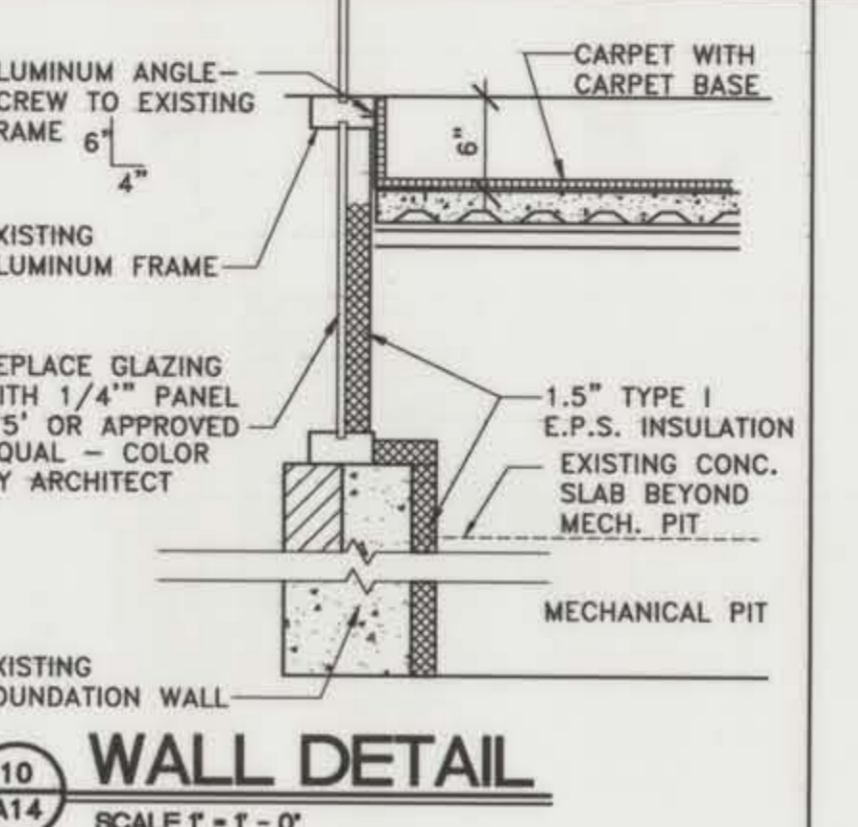
7 DOOR INFILL
SCALE 3/4" = 1'-0"



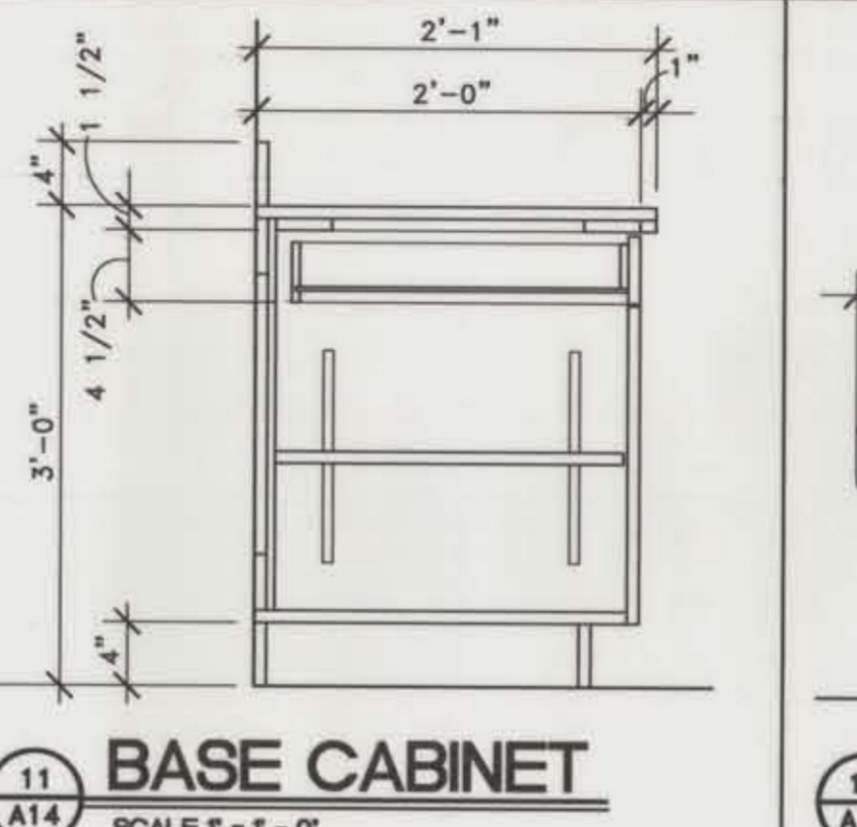
8 VANITY DETAIL
SCALE 1" = 1'-0"



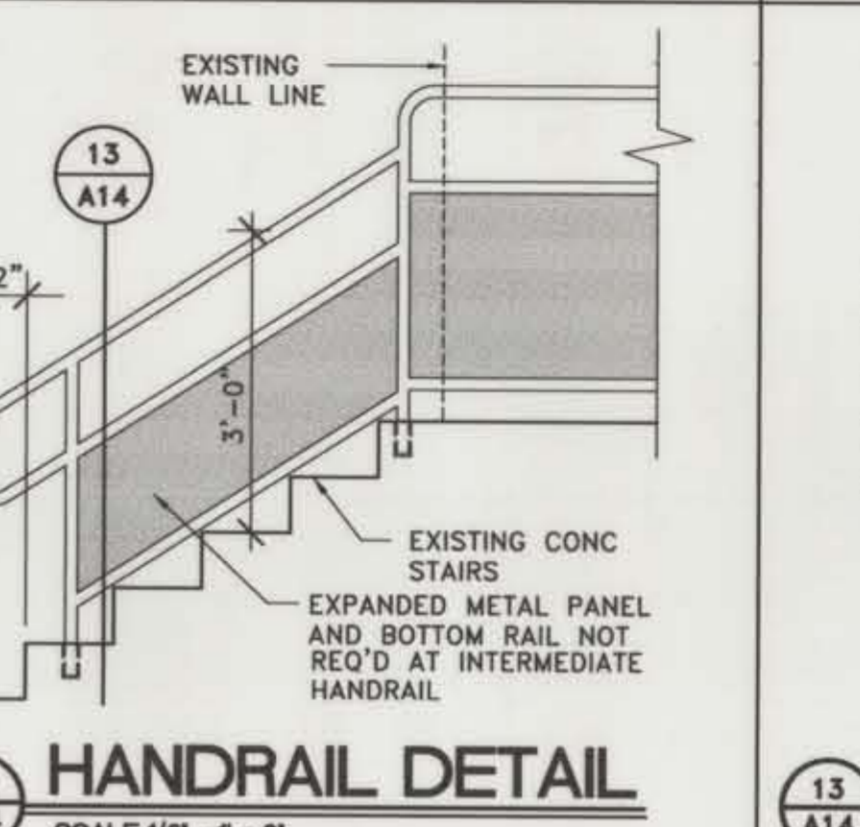
9 VANITY BRACE
SCALE 1" = 1'-0"



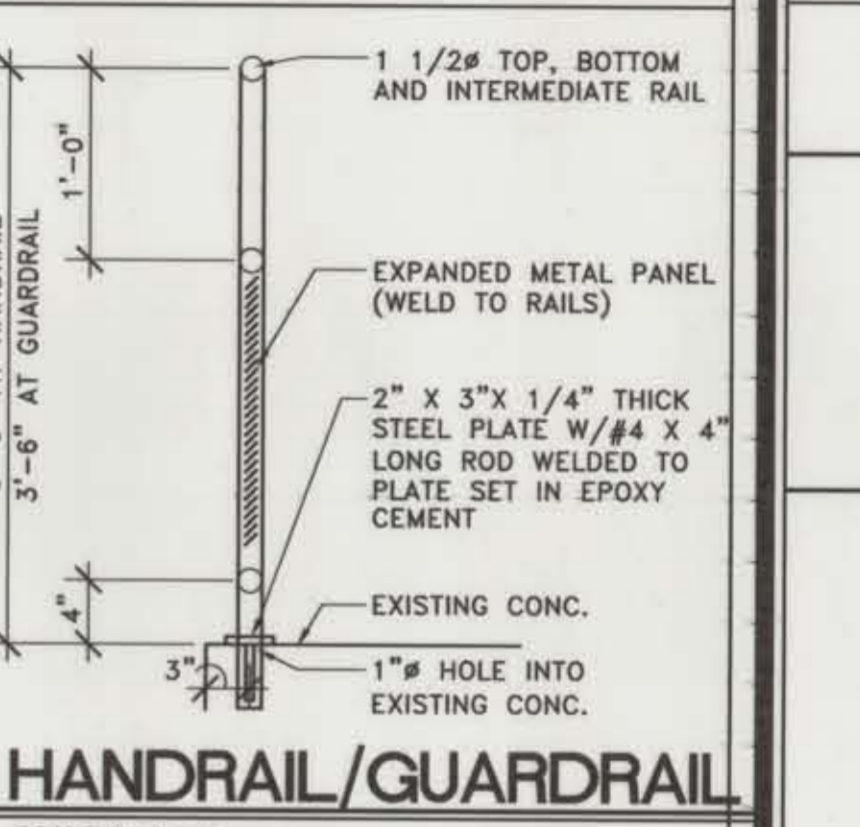
10 WALL DETAIL
SCALE 1" = 1'-0"



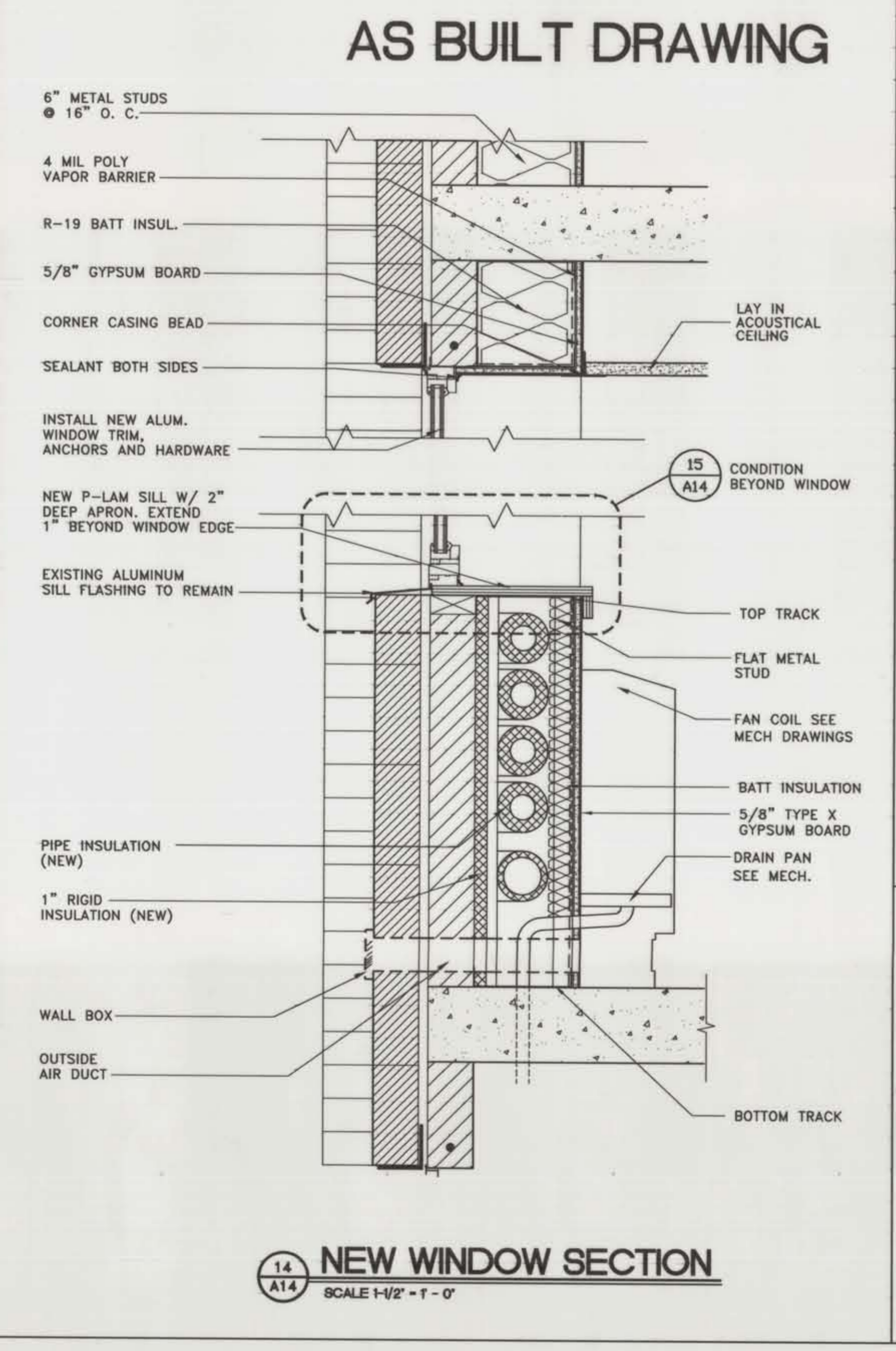
11 BASE CABINET
SCALE 1" = 1'-0"



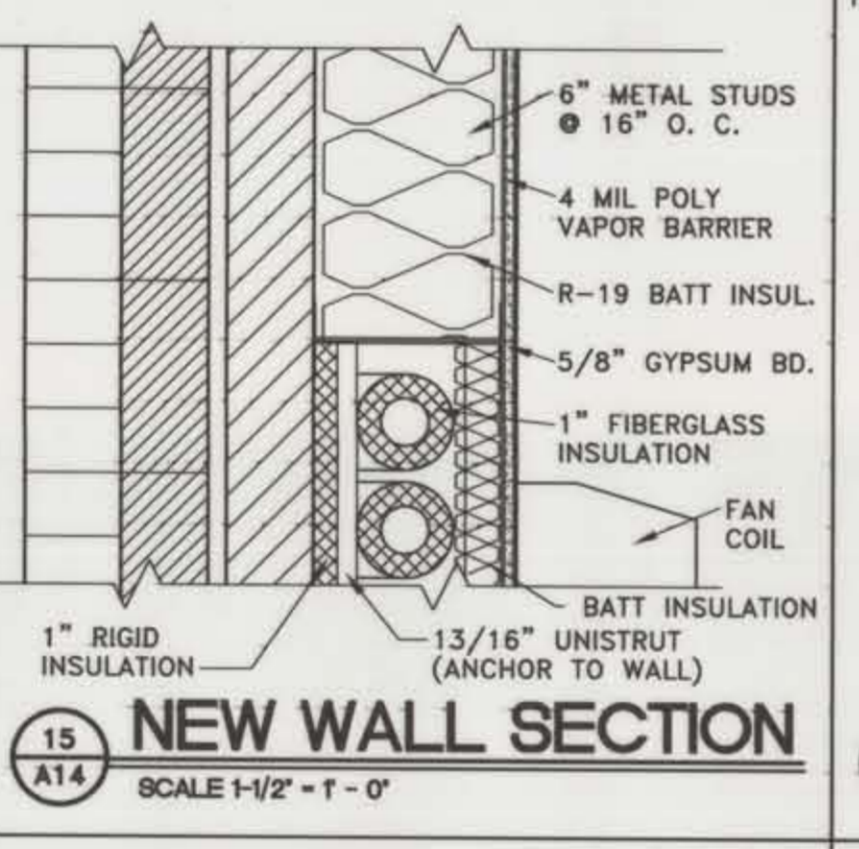
12 HANDRAIL DETAIL
SCALE 1/2" = 1'-0"



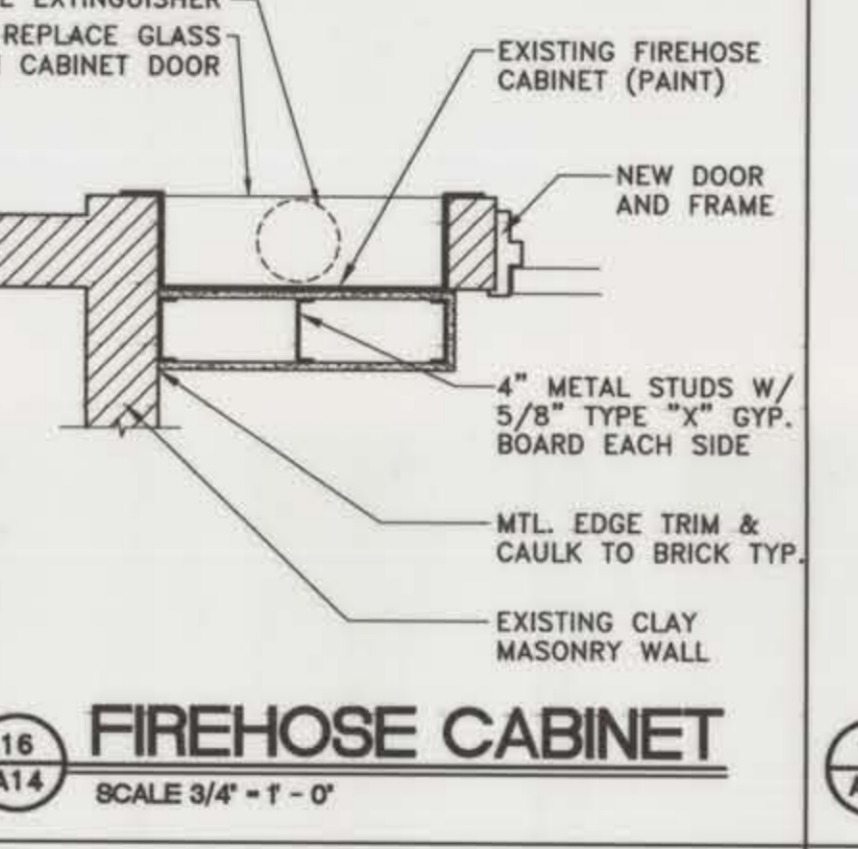
13 HANDRAIL/GUARDRAIL
SCALE 1" = 1'-0"



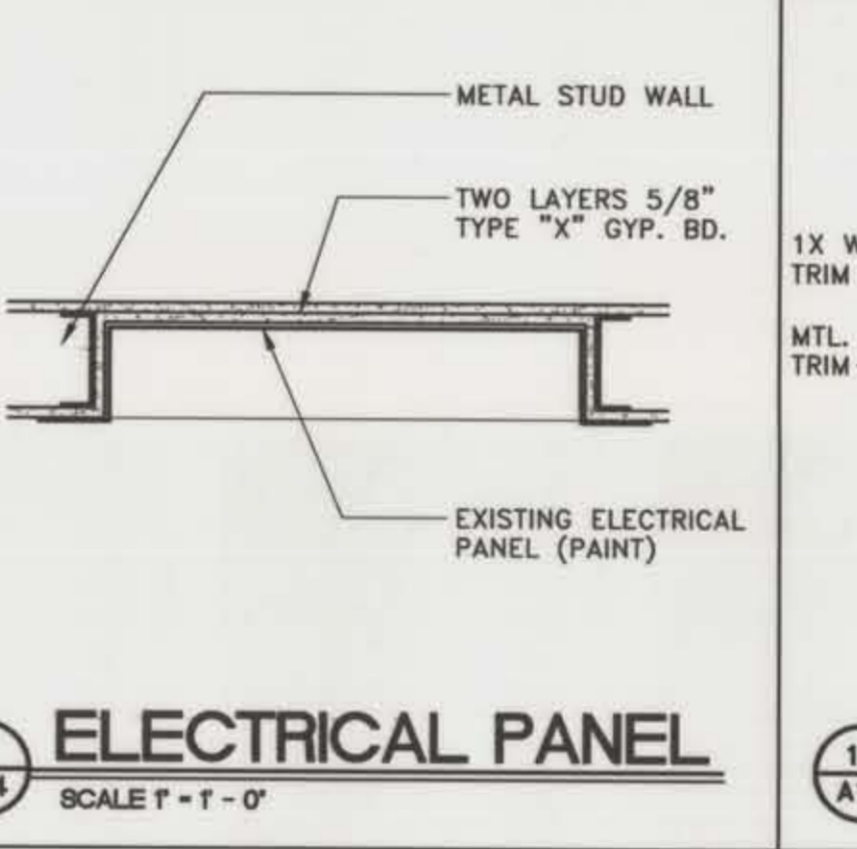
14 NEW WINDOW SECTION
SCALE 1-1/2" = 1'-0"



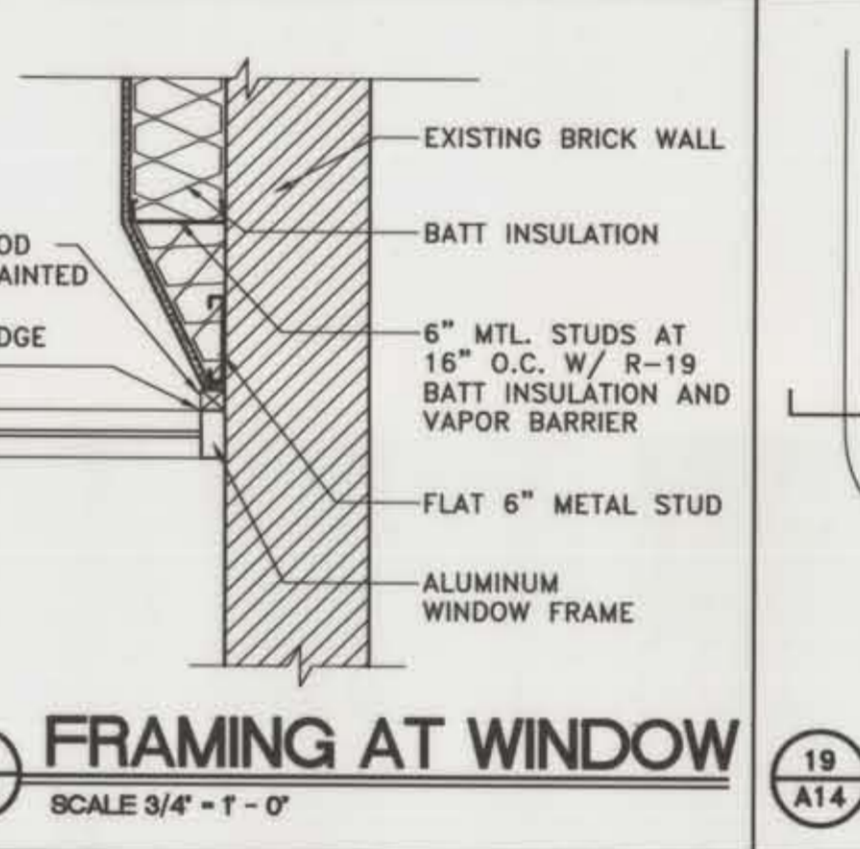
15 NEW WALL SECTION
SCALE 1-1/2" = 1'-0"



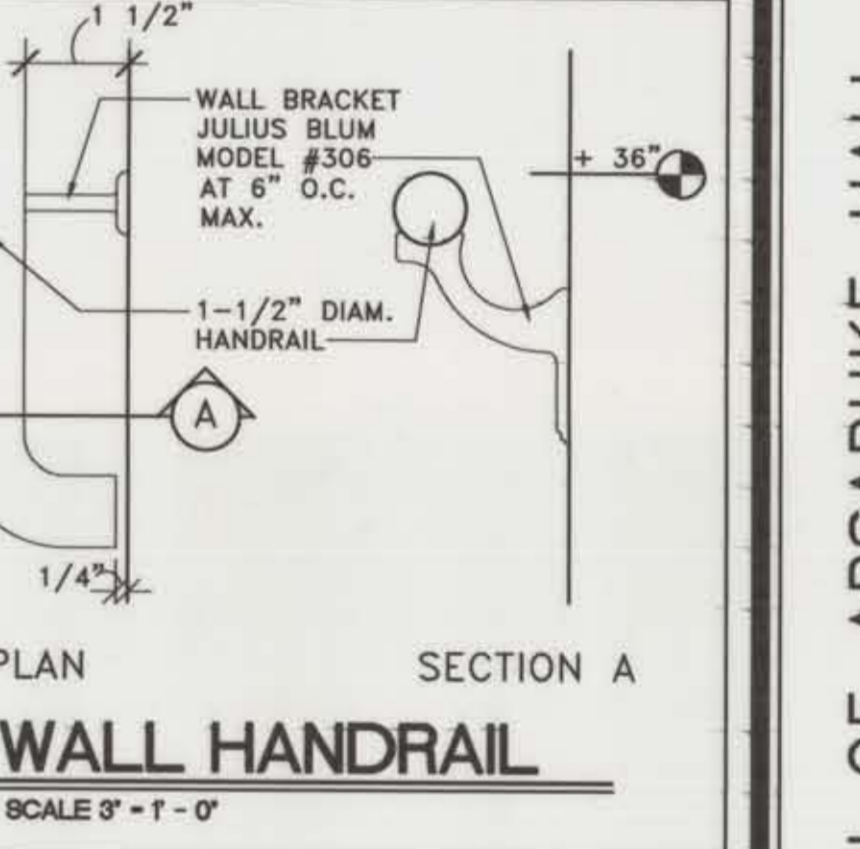
16 FIREHOSE CABINET
SCALE 3/4" = 1'-0"



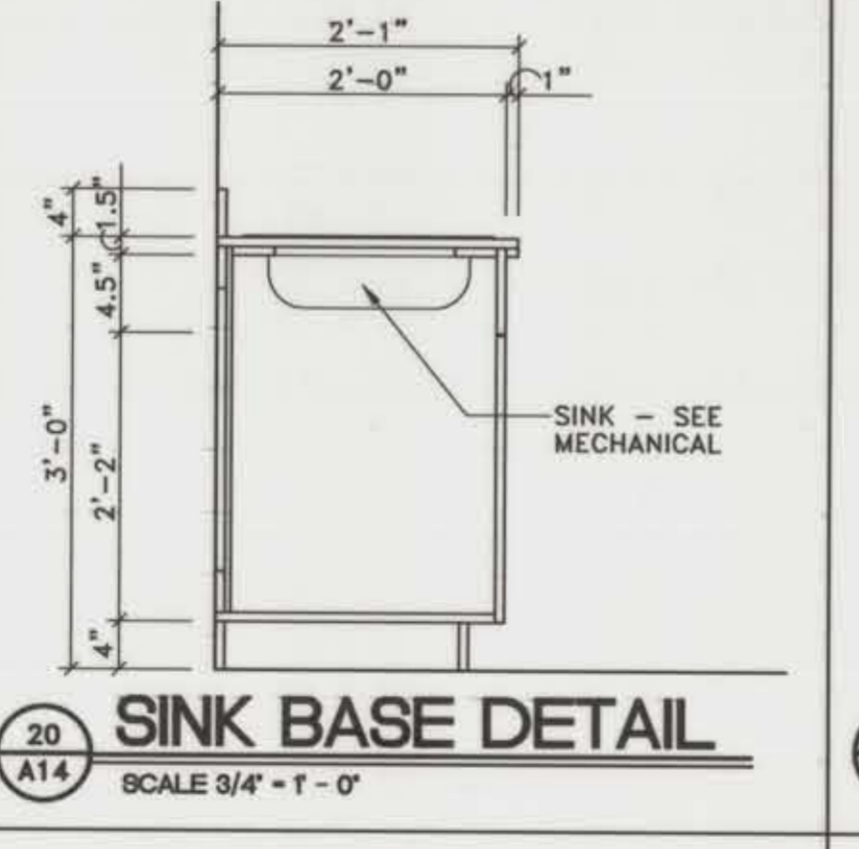
17 ELECTRICAL PANEL
SCALE 1" = 1'-0"



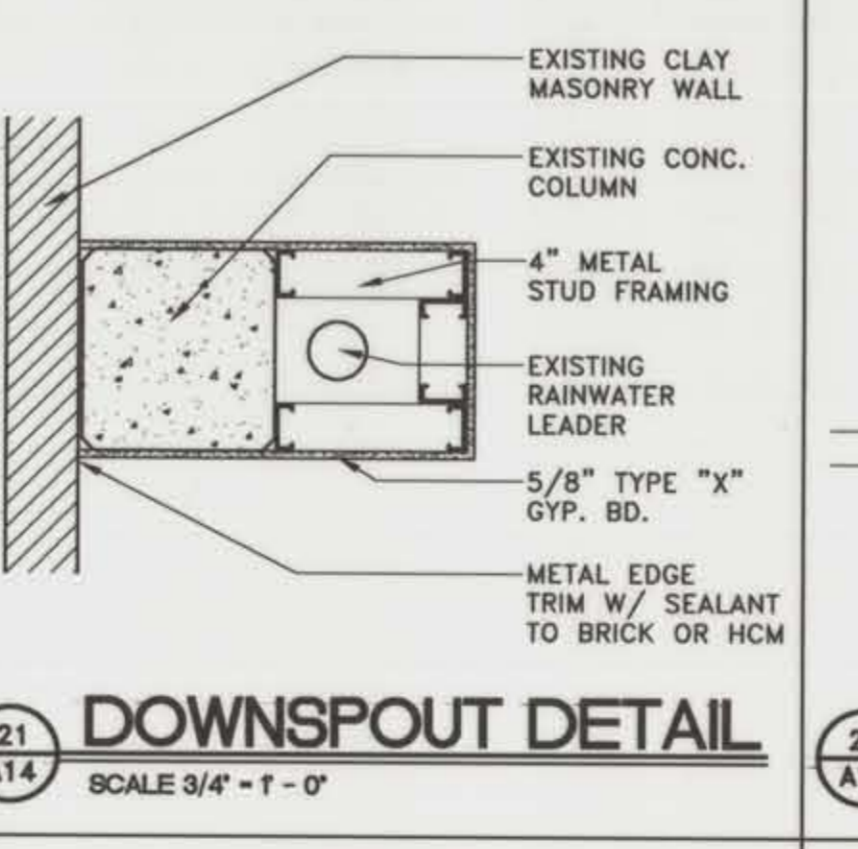
18 FRAMING AT WINDOW
SCALE 3/4" = 1'-0"



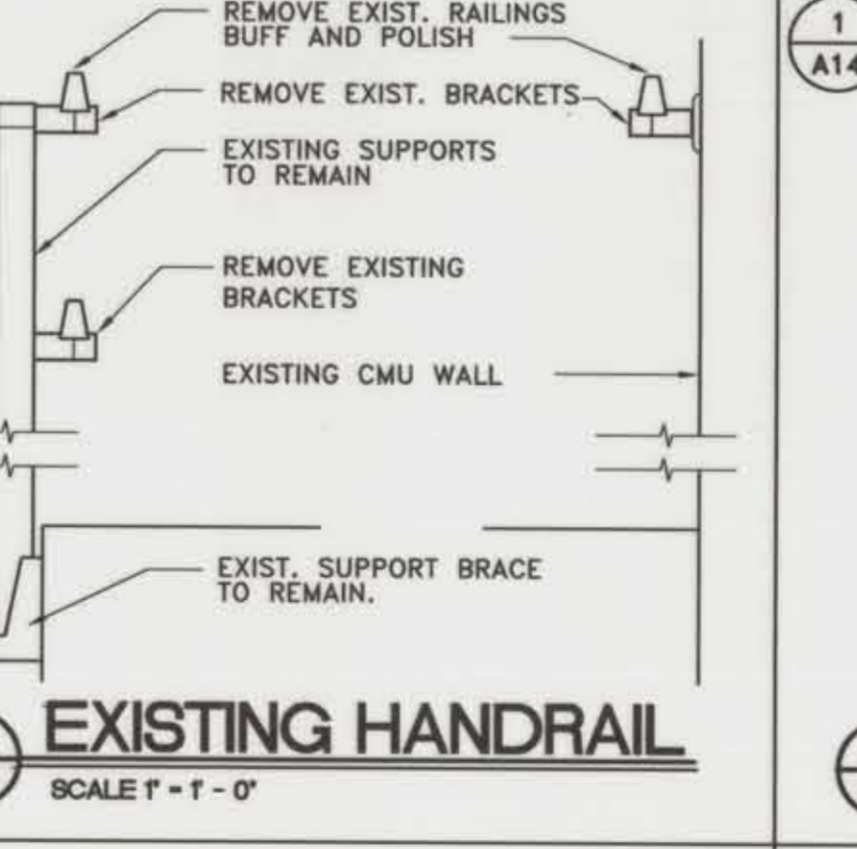
19 WALL HANDRAIL
SCALE 3" = 1'-0"



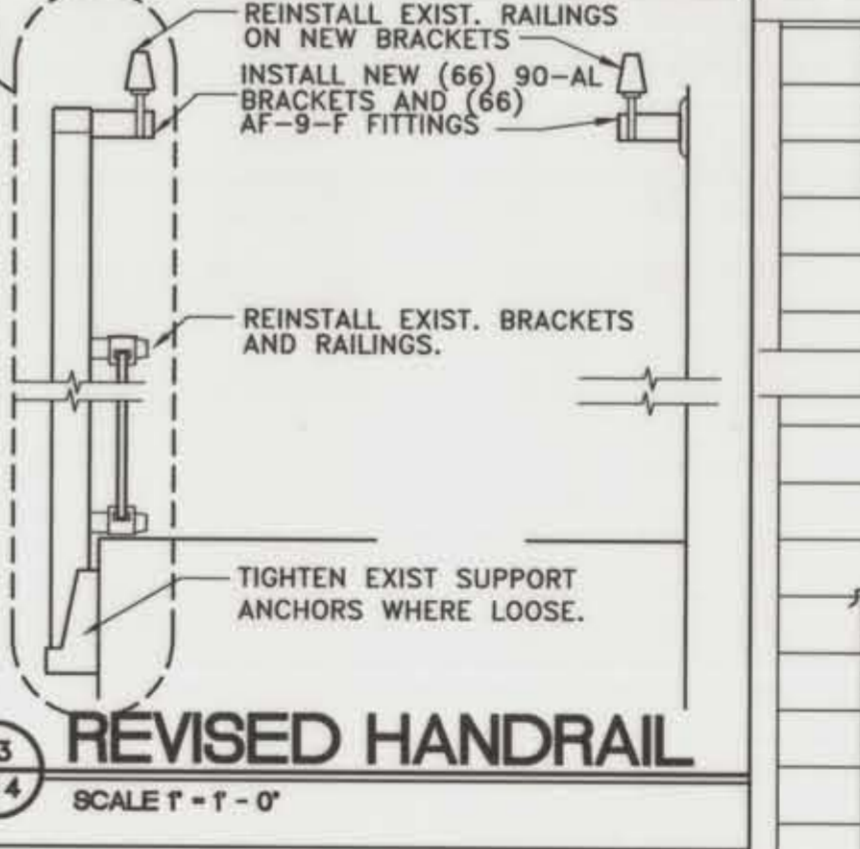
20 SINK BASE DETAIL
SCALE 3/4" = 1'-0"



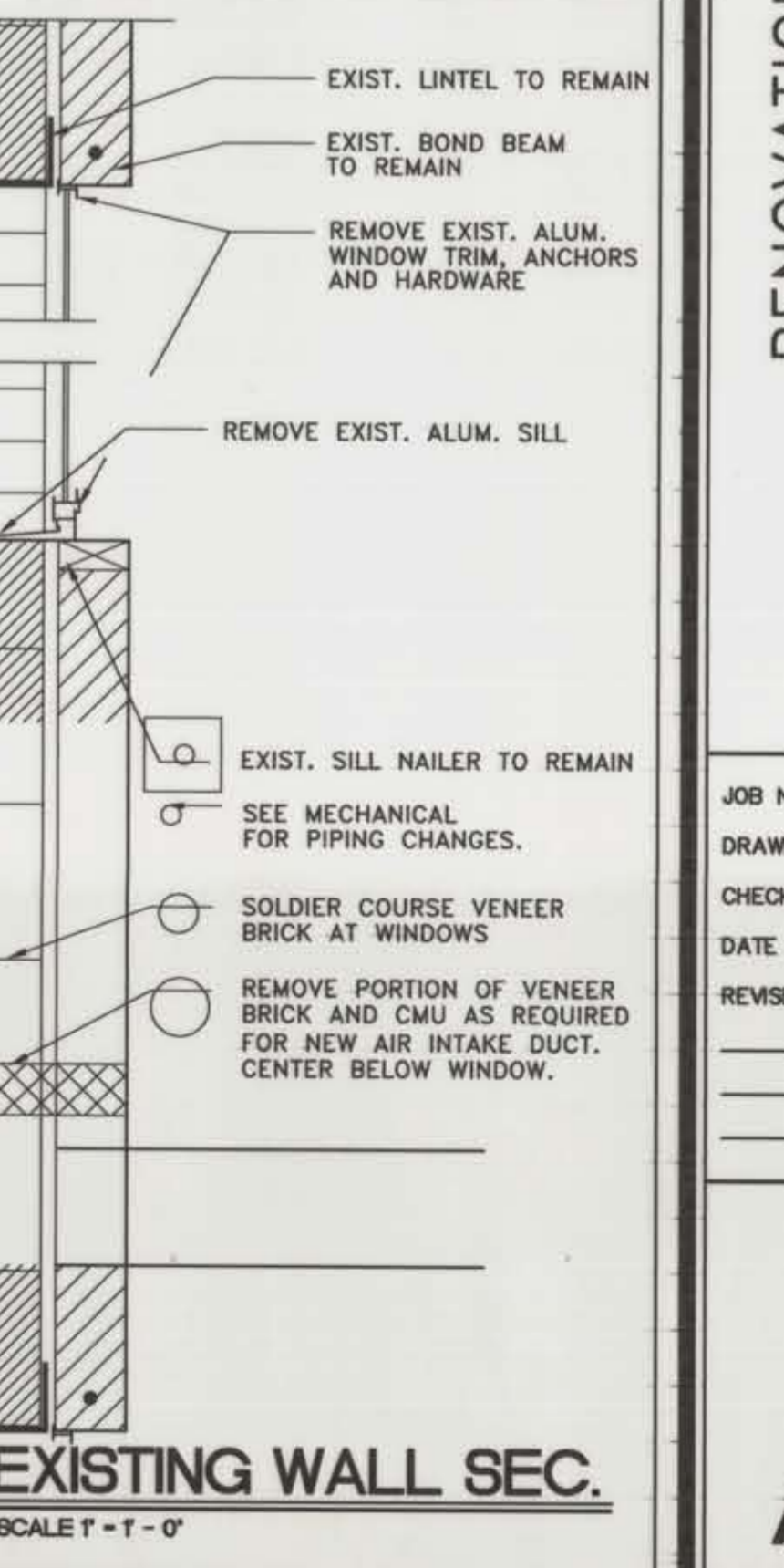
21 DOWNSPOUT DETAIL
SCALE 3/4" = 1'-0"



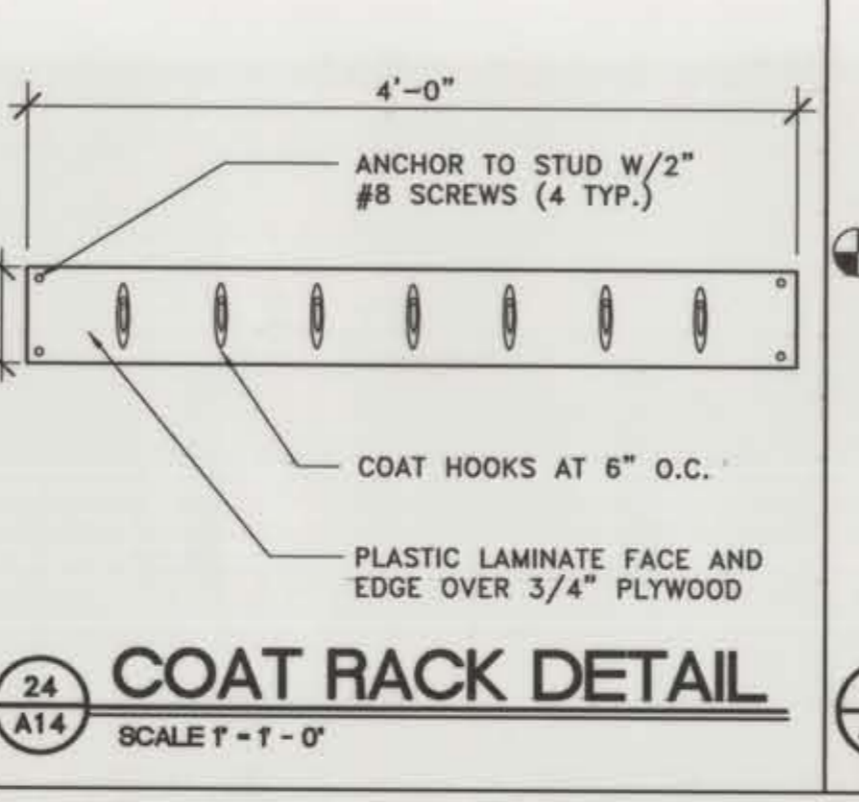
22 EXISTING HANDRAIL
SCALE 1" = 1'-0"



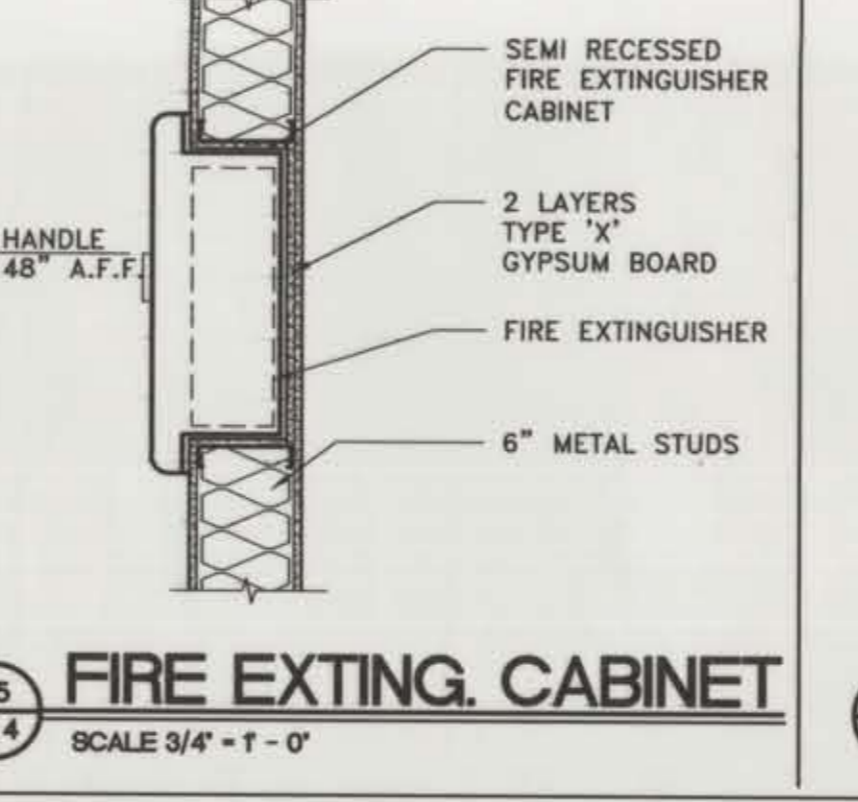
23 REVISED HANDRAIL
SCALE 1" = 1'-0"



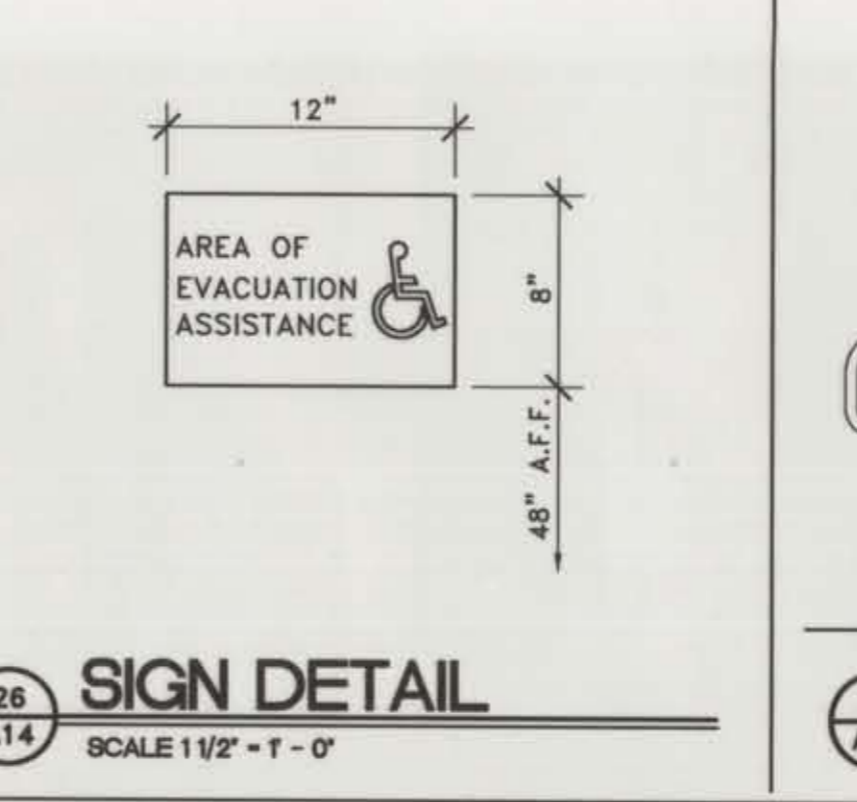
28 EXISTING WALL SEC.
SCALE 1" = 1'-0"



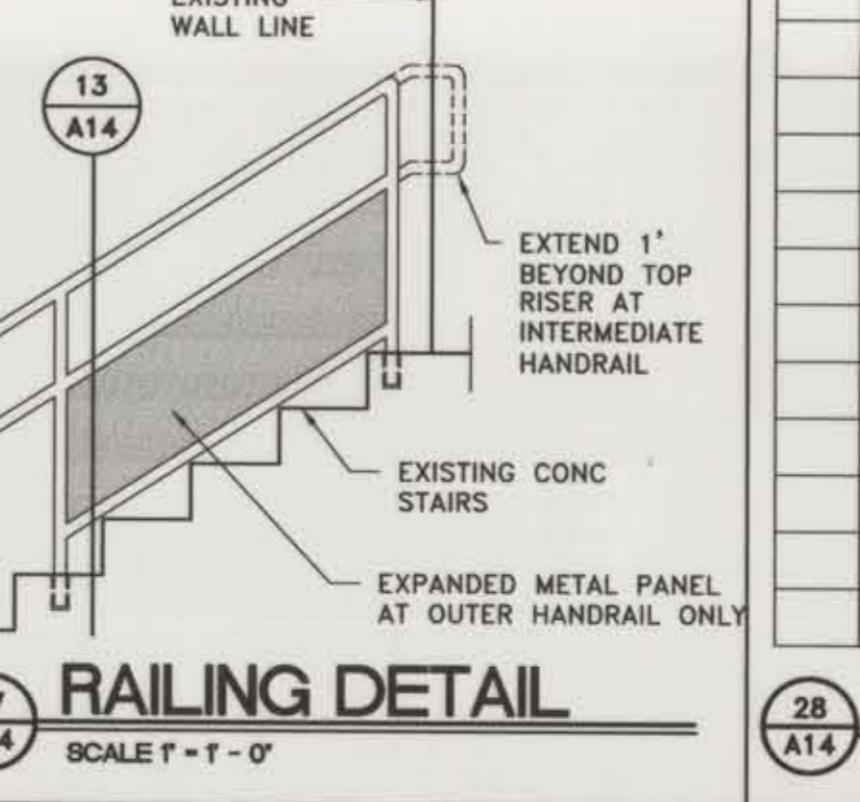
24 COAT RACK DETAIL
SCALE 1" = 1'-0"



25 FIRE EXTING. CABINET
SCALE 3/4" = 1'-0"



26 SIGN DETAIL
SCALE 1 1/2" = 1'-0"



27 RAILING DETAIL
SCALE 1" = 1'-0"

644 Grand Avenue
Billings, Montana 59101
406-245-6363

JGA
ARCHITECTS
ENGINEERS
PLANNERS

RENOVATION OF APSARUKE HALL
MSU-BILLINGS
BILLINGS, MONTANA

JOB NO. 9504
DRAWN BY TM_REC
CHECKED TS
DATE 11-3-95
REVISED 12-4-96

1" = 1'-0"

A14