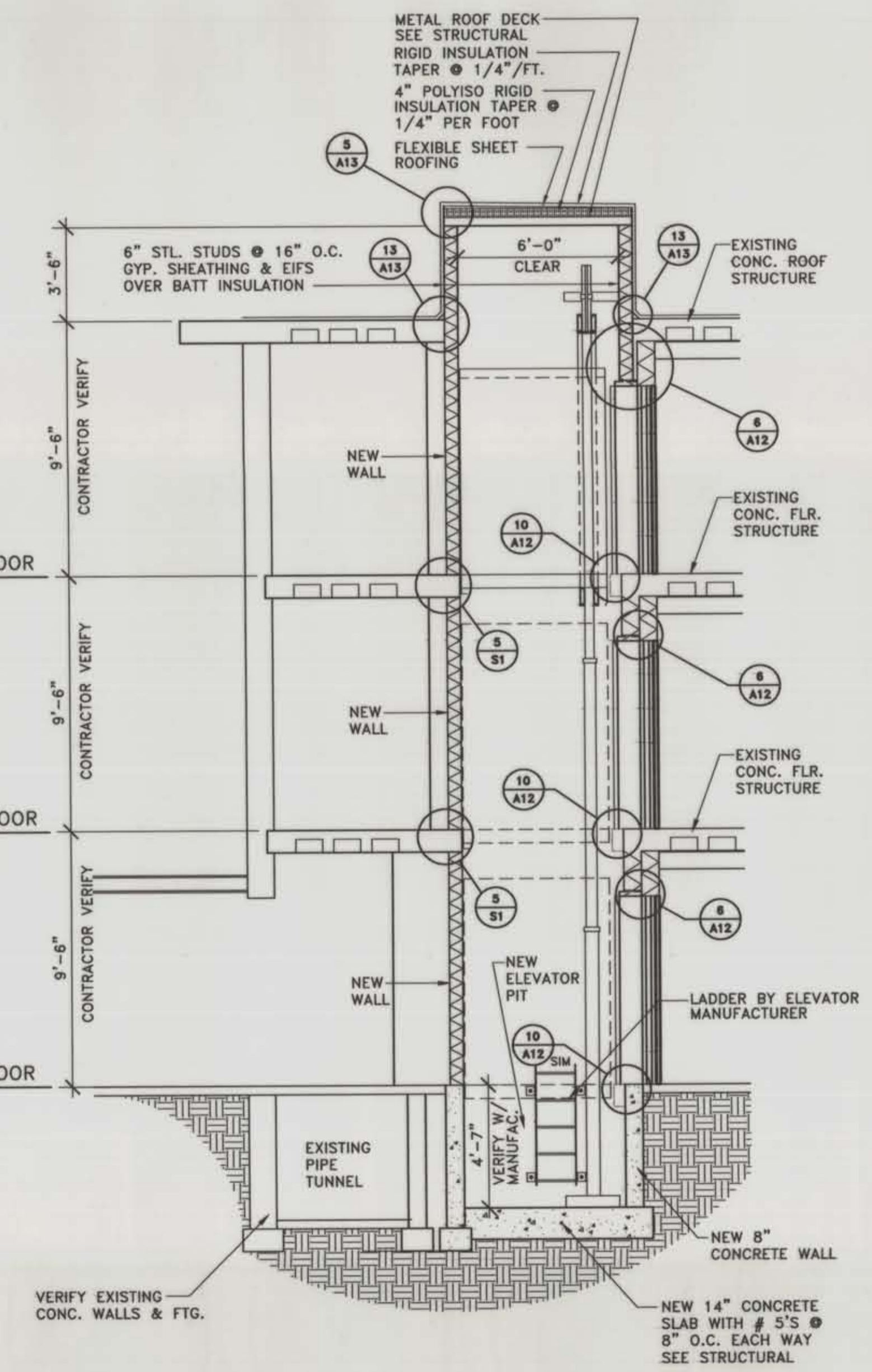
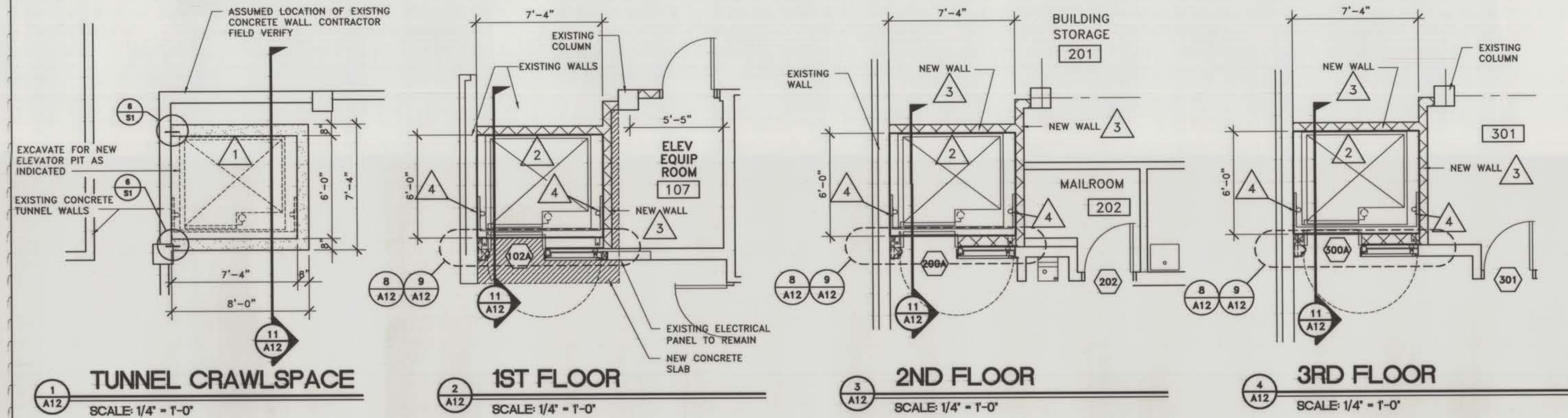


GENERAL NOTES

- 1 DEMOLISH AND REMOVE EXISTING CONCRETE SLAB ON GRADE. EXCAVATE FOR NEW ELEVATOR PIT AND FURNISH AND INSTALL NEW CONCRETE FOUNDATION WALLS AND CONCRETE ELEVATOR FLOOR SLAB.
- 2 CUT NEW OPENING IN EXISTING CONCRETE FLOOR STRUCTURE FOR NEW ELEVATOR SHAFT AT EACH FLOOR PLUS OPENING THRU EXISTING CONCRETE ROOF STRUCTURE.
- 3 FURNISH AND INSTALL NEW 3 5/8" METAL STUD WALLS (1 HR.) CONSISTING OF 25 GA. METAL STUDS AT 16" O.C. 5/8" GYPSUM BOARD ON EACH SIDE TAPE AND PAINT. (PAINTING NOT REQUIRED ON ELEVATOR SHAFT SIDE.)
- 4 FURNISH AND INSTALL NEW STEEL MC 6x12 x7'-4" LONG CHANNELS AT EACH FLOOR LEVEL WITH 5/8" EXP. BOLTS @ 12" O.C. COORDINATE EXACT LOCATION WITH ELEVATOR INSTALLER.

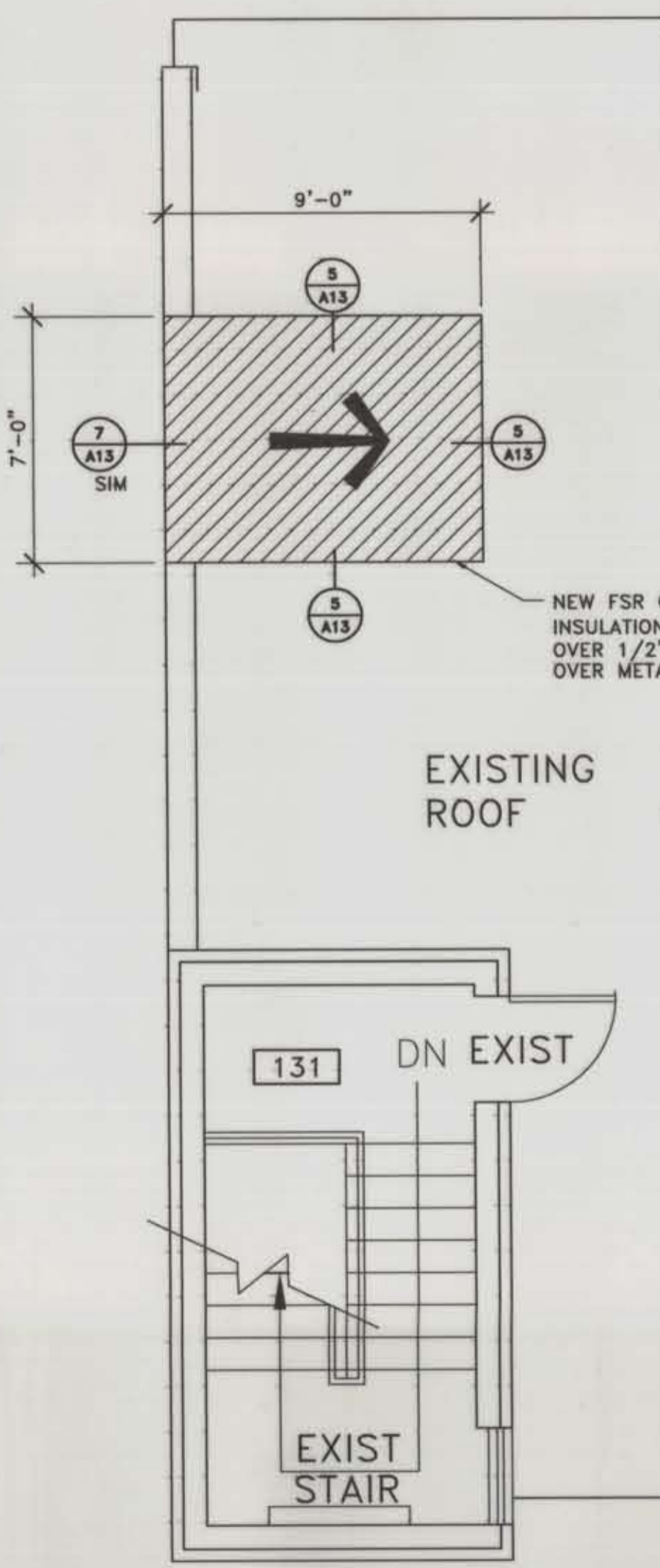


1 TUNNEL CRAWLSPACE
SCALE: 1/4" = 1'-0"

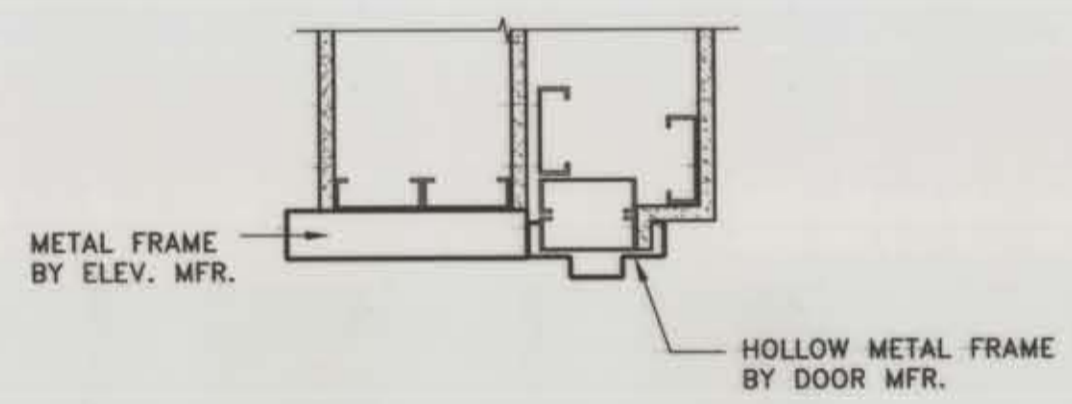
2 1ST FLOOR
SCALE: 1/4" = 1'-0"

3 2ND FLOOR
SCALE: 1/4" = 1'-0"

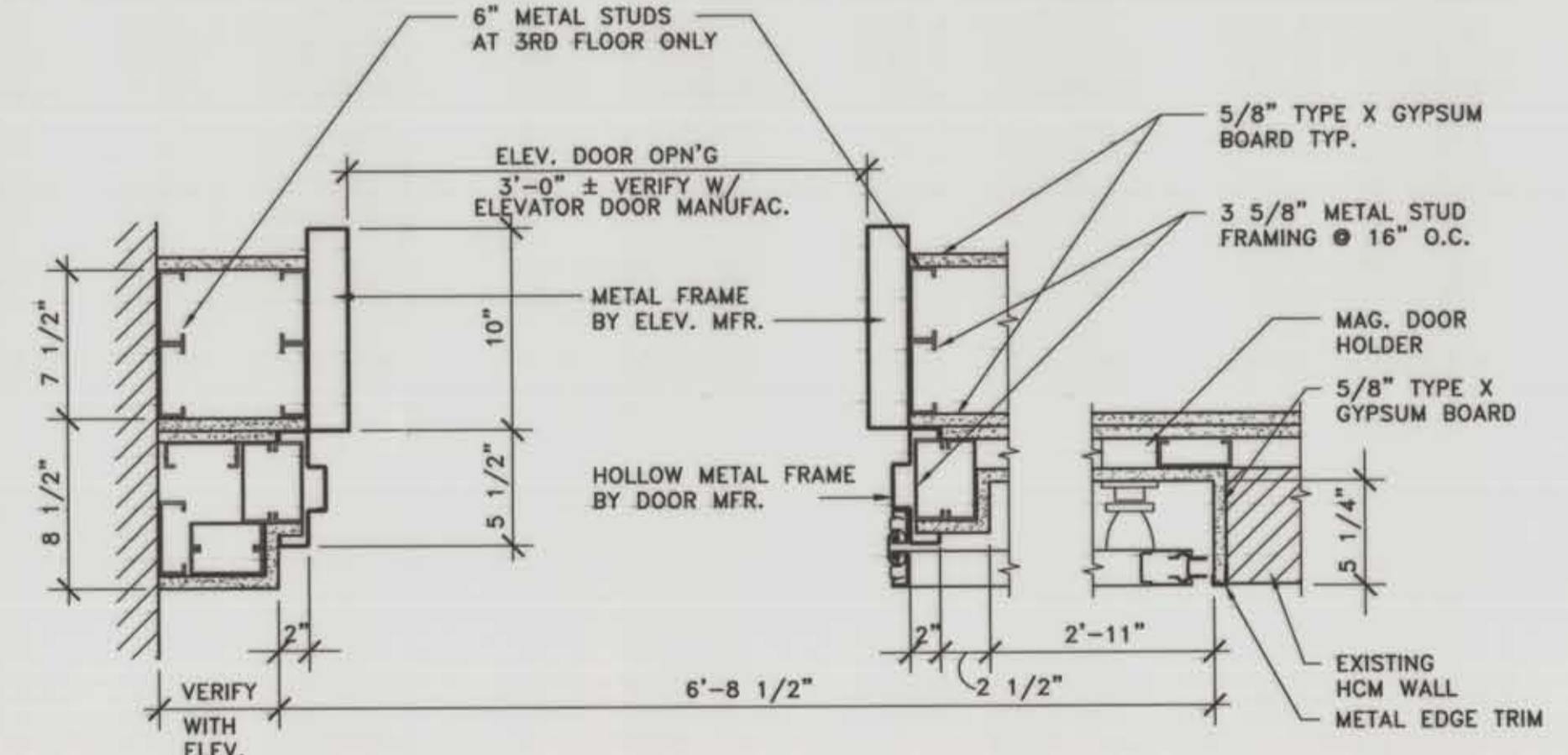
4 3RD FLOOR
SCALE: 1/4" = 1'-0"



5 ROOF PLAN
SCALE: 1/4" = 1'-0"

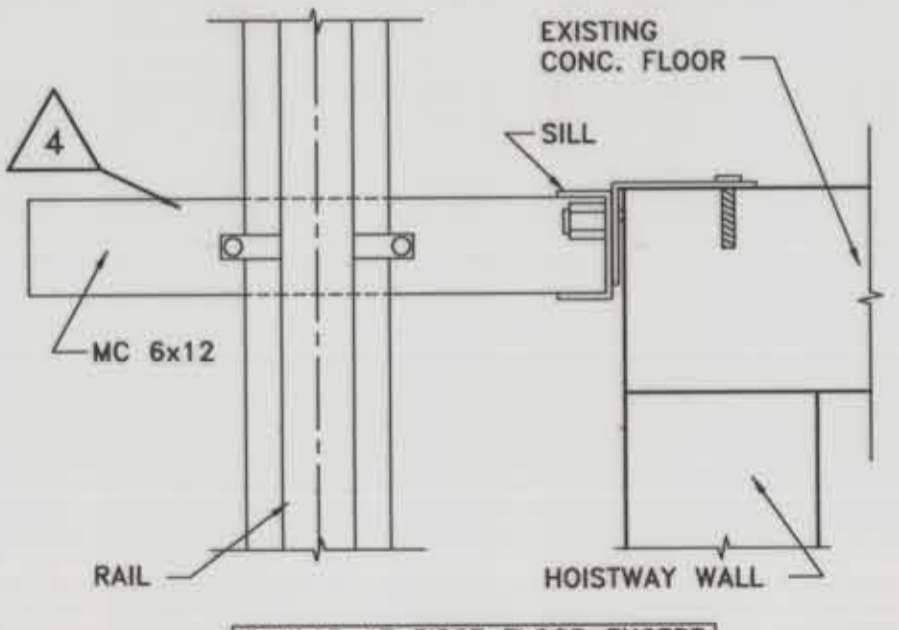


6 HEAD DETAIL
SCALE: 1 1/2" = 1'-0"



8 JAMB-LATCH SIDE
SCALE: 1 1/2" = 1'-0"

9 JAMB-HINGE SIDE
SCALE: 1 1/2" = 1'-0"



10 SILL DETAIL
SCALE: 1 1/2" = 1'-0"

7 REVISED ELEVATOR SECTION
SCALE: 1/4" = 1'-0"

AS BUILT DRAWING

C:\jga\CAD\9504\9504-a12.dwg Dec 18 08:13:24 1996 JGA ARCHITECTS BILLINGS, MT